



Illustrated Parts Manual

**Model
18RS**

3121285

December 30, 2013

ANSI

CE



An Oshkosh Corporation Company

REVISION LOG

May 15, 2013 - Original Issue of Manual (Edited to B/M 1001135051 Revision D)

September 12, 2013 - Revised Manual (Edited to B/M 1001135051 Revision D)

December 30, 2013 - Revised Manual (Edited to B/M 1001135051 Revision D)

REVISION LOG

TABLE OF CONTENTS

FIGURE NO.	TITLE	PAGE NO.
SECTION 1 - FRAME		1-1
1-1	STEERING INSTALLATION	1-2
1-2	TIRE AND WHEEL DRIVE INSTALLATION	1-4
1-3	DRIVE MOTOR ASSEMBLY	1-6
1-4	DRIVE HUB/BRAKE ASSEMBLY	1-8
1-5	DRIVE VALVES AND FRAME SHIELDS INSTALLATIONS	1-10
SECTION 2 - TURNTABLE		2-1
2-1	CONTROL VALVE & HYDRAULIC FILTERS INSTALLATION	2-2
2-2	MAIN CONTROL VALVE ASSEMBLY	2-4
2-3	TURNTABLE BEARING AND SWING DRIVE INSTALLATION	2-8
2-4	SWING MOTOR ASSEMBLY	2-10
2-5	SWING BEARING & ROTATION BOX ASSEMBLY	2-12
2-6	DEUTZ ENGINE INSTALLATION	2-14
2-7	PISTON PUMP ASSEMBLY	2-20
2-8	TANK INSTALLATIONS	2-24
2-9	ELECTRICAL COMPONENTS INSTALLATION (TURNTABLE MOUNTED)	2-28
2-10	GROUND CONTROL PANEL ASSEMBLY	2-30
2-11	ELECTRICAL PANEL ASSEMBLY	2-32
2-12	HOODS INSTALLATION	2-34
SECTION 3 - BOOM		3-1
3-1	BOOM AND CYLINDERS INSTALLATION	3-2
3-2	MAIN BOOM ASSEMBLY	3-6
3-3	PLATFORM ROTATOR ASSEMBLY	3-10
3-4	PLATFORM SUPPORT INSTALLATION	3-12
SECTION 4 - PLATFORM		4-1
4-1	PLATFORM ASSEMBLY	4-2
4-2	PLATFORM CONSOLE ASSEMBLY	4-4
4-3	CONTROLLER ASSEMBLY (LIFT AND SWING)	4-8
4-4	CONTROLLER ASSEMBLY (DRIVE AND STEER)	4-10
SECTION 5 - CYLINDER		5-1
5-1	LEVEL (PLATFORM SLAVE) CYLINDER ASSEMBLY	5-2
5-2	LIFT CYLINDER ASSEMBLY	5-4
5-3	MASTER CYLINDER ASSEMBLY	5-6
5-4	STEER CYLINDER ASSEMBLY	5-8
5-5	TELESCOPE CYLINDER ASSEMBLY	5-10
SECTION 6 - HYDRAULIC		6-1
6-1	HYDRAULIC INSTALLATION (FRONT AXLE)	6-2
6-2	HYDRAULIC INSTALLATION (REAR AXLE)	6-4
6-3	HYDRAULIC INSTALLATION (BOOM)	6-6
6-4	HYDRAULIC INSTALLATION (DRIVE PUMP)	6-8
6-5	HYDRAULIC DIAGRAM LIST	6-10

TABLE OF CONTENTS

FIGURE NO.	TITLE	PAGE NO.
SECTION 7 - ELECTRICAL		7-1
7-1	ELECTRICAL DIAGRAM LIST	7-2
7-2	HARNESS COMPONENTS INSTALLATION	7-4
SECTION 8 - DECALS		8-1
8-1	DECAL INSTALLATION	8-2
SECTION 9 - RECOMMENDED SERVICE PARTS STOCK		9-1
SECTION 10 - SPECIAL OPTIONS		10-1
SECTION 11 - PART NUMBER INDEX		11-1

SECTION 1

FRAME

SECTION 1 FRAME

FIGURE 1-1. STEERING INSTALLATION

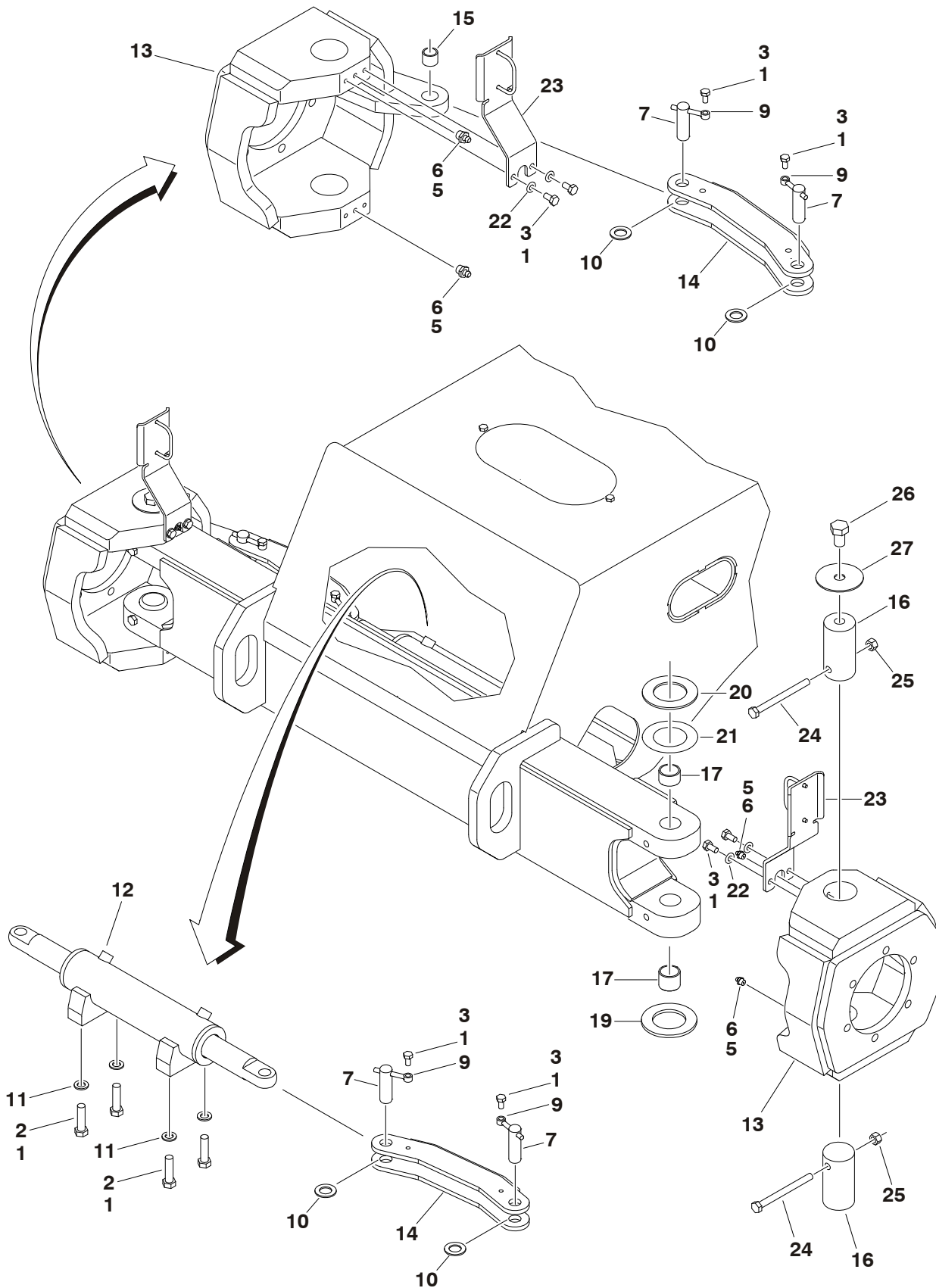
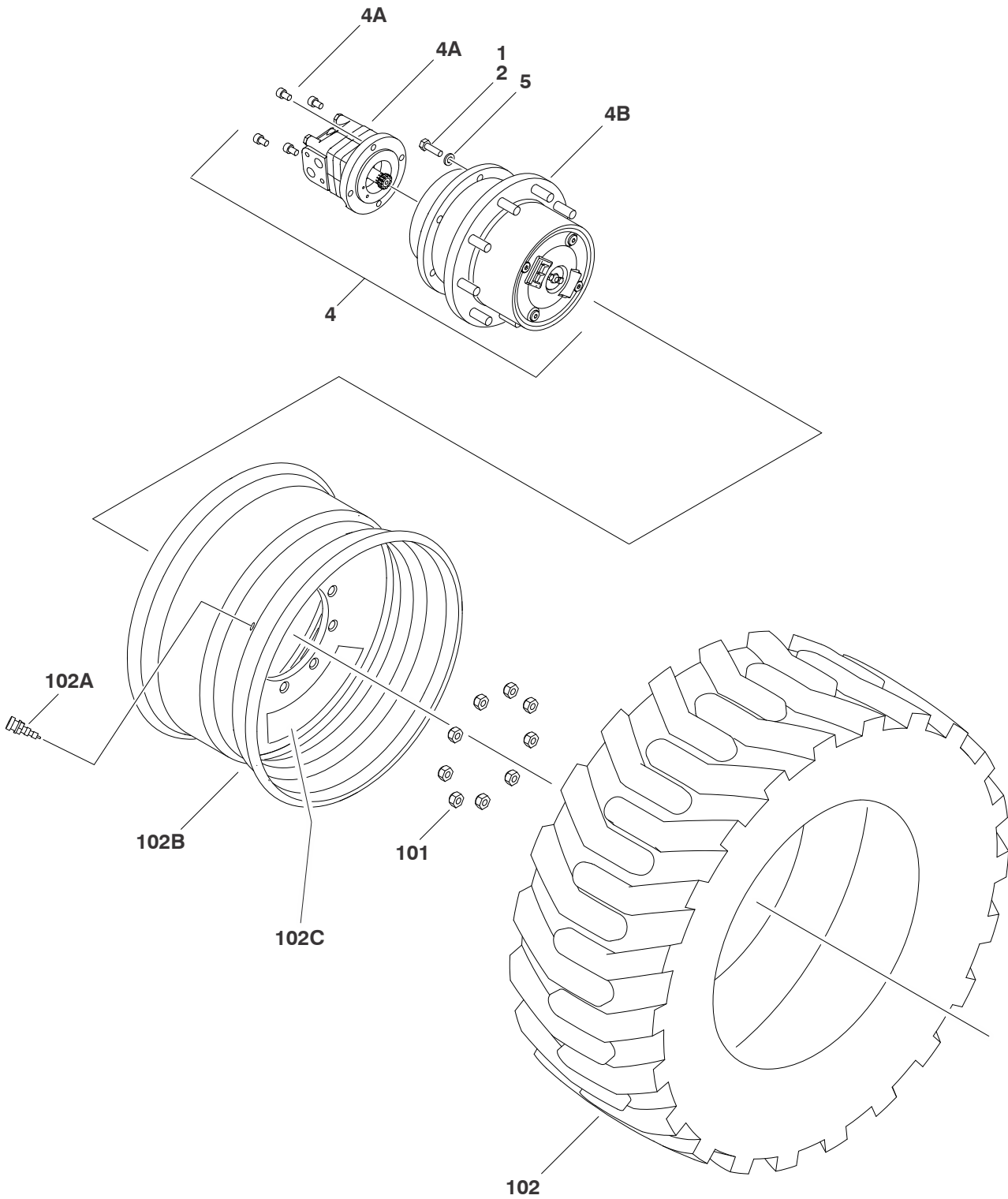


FIGURE 1-1. STEERING INSTALLATION

ITEM #	PART NUMBER	QTY.	DESCRIPTION	REV.
	1001133419	Ref	STEERING INSTALLATION	C
1	0100011	AR	Compound, Locking	
2	0711620	4	Bolt M16 x 60mm	
3	0761010	8	Bolt M10 x 20mm	
4	Not Used			
5	2160016	4	Fitting, Grease	
6	3020029	AR	Grease, Bearing	
7	3422813	4	Pin	
8	Not Used			
9	3841143	4	Keeper, Pin	
10	4740111	4	Thrustwasher	
11	4812300	4	Flatwasher M16	
12	1001130477	1	Steer Cylinder Assembly (See CYLINDER SECTION for Breakdown)	
13	1001148486	2	Spindle	
14	1001131788	2	Link, Tie-Rod	
15	1001134289	2	Bearing	
16	1001148425	4	Kingpin	
17	1001148430	4	Bearing	
18	Not Used			
19	1001148482	2	Thrustwasher	
20	1001148537	2	Thrustwasher	
21	1001148538	2	Thrustwasher	
22	4812100	4	Flatwasher M10	
23	1001148540	2	Support, Hose	
24	0711231	4	Bolt M12 x 140mm	
25	3291205	4	Locknut M12	
26	0762014	2	Bolt M20 x 30mm	
27	1001148610	2	Cover, Kingpin	

SECTION 1 FRAME

FIGURE 1-2. TIRE AND WHEEL DRIVE INSTALLATION



SECTION 1 FRAME

FIGURE 1-2. TIRE AND WHEEL DRIVE INSTALLATION

ITEM #	PART NUMBER	QTY.	DESCRIPTION	REV.
	1001133308	Ref	WHEEL DRIVE INSTALLATION	B
1	0100019	AR	Compound, Locking	
2	0682012	24	Bolt 5/8in-11NC x 1-1/2in Grade 8	
3	Not Used			
4	1001132519	4	Drive Motor/Hub/Brake Assembly	F
	0100011	AR	Compound, Locking (Not Shown)	
4A	1001132500	4	Drive Motor Assembly (See DRIVE MOTOR ASSEMBLY For Breakdown)	
4B	1001132499	4	Drive Hub/Brake Assembly (See DRIVE HUB/BRAKE ASSEMBLY For Breakdown)	
5	4892000	24	Flatwasher 5/8in Hardened	
	1001139014	Ref	TIRE AND WHEEL INSTALLATION	C
101	3300106	36	Nut, Wheel (9 per Wheel)	
102		AR	Tire & Wheel Assembly Options:	
	1001134196	2	315/55D20 Foam-Filled Left Side	E
	1001134197	2	315/55D20 Foam-Filled Right Side	E
		Ref	Note: Assemblies may require ballast/foam filling to manufacture's specifications prior to installing on a machine. Refer to Operation & Safety or Service & Maintenance Manuals. Purchase individual tire and/or rim only if able to foam fill tire & wheel assembly, otherwise, purchase complete assembly.	
	1001134195	1	Tire 315/55D20	
102A	8786514	1	Valve Stem, Air (was p/n 4640113)	
102B	1001134194	1	Rim, Wheel	
102C	1001144655	1	Decal - Transport Wheels	

SECTION 1 FRAME

FIGURE 1-3. DRIVE MOTOR ASSEMBLY

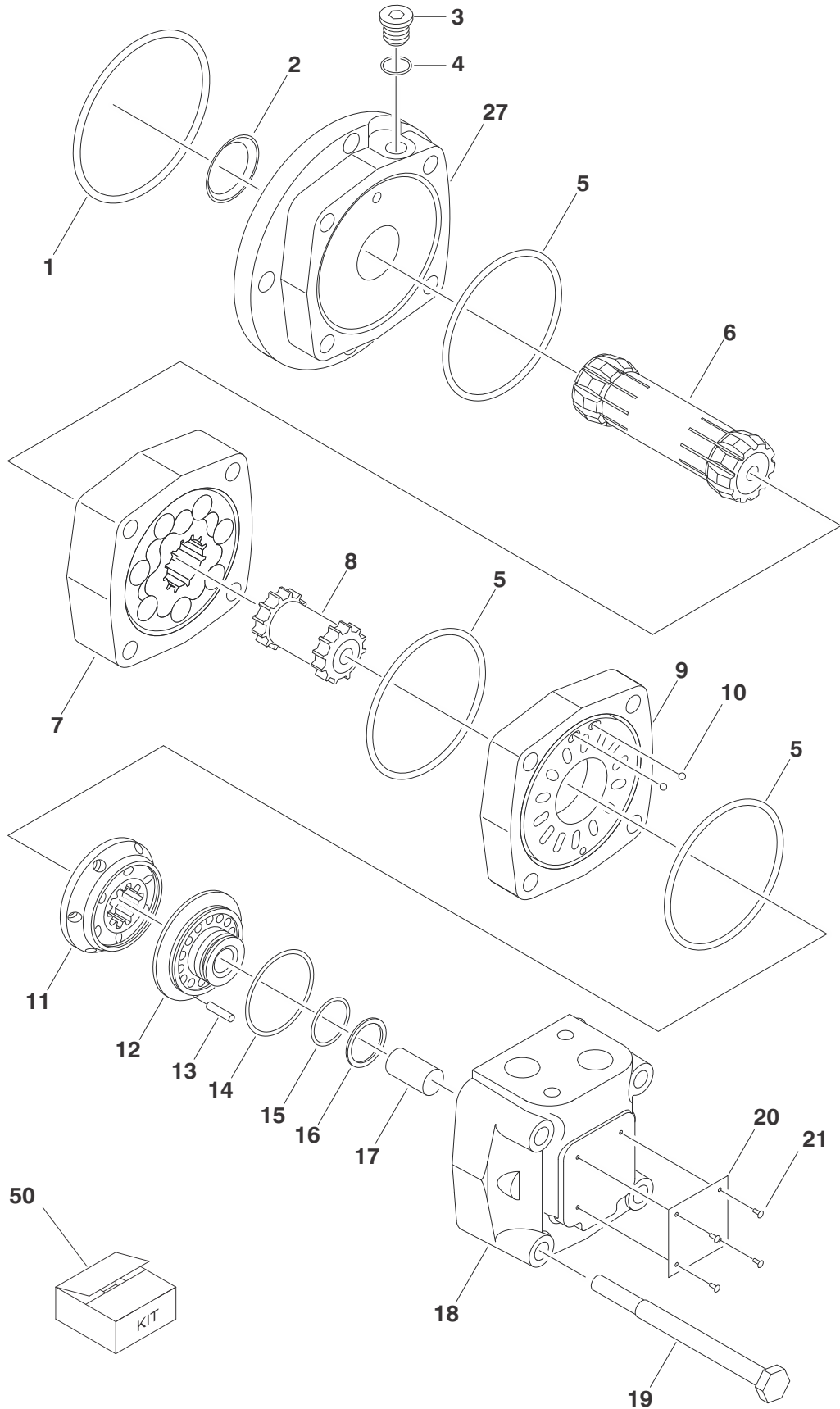


FIGURE 1-3. DRIVE MOTOR ASSEMBLY

ITEM #	PART NUMBER	QTY.	DESCRIPTION	REV.
	1001132500	Ref	DRIVE MOTOR ASSEMBLY	E
1	70004126	1	O-Ring	
2	70004075	1	Seal, Shaft	
3	70004076	1	Plug	
4	Use 70004090	1	O-Ring	
5	Use 70004090	3	O-Ring	
6	70004077	1	Shaft	
7	70004078	1	Gear Set	
8	70004079	1	Coupling, Drive	
9	70004080	1	Plate	
10	70004081	2	Ball	
11	70004082	1	Plate, Valve	
12	70004083	1	Plate, Balance	
13	70004084	1	Pin	
14	Use 70004090	1	O-Ring	
15	Use 70004090	1	O-Ring	
16	70004085	1	Washer	
17	70004086	1	Spacer	
18	70004087	1	Cover, End	
19	70004088	4	Screw M10 x 100mm	
20	See Note	1	Nameplate (Note: Not Available for Purchase)	
21	See Note	4	Rivet (Note: Not Available - Purchase Locally)	
22 to 26	Not used			
27	70004089	1	Flange, Mounting	
28 to 49	Not Used			
50	70004090	1	Seal Kit - Motor (Includes Items 1,2,4,5,14 & 15)	

FIGURE 1-4. DRIVE HUB/BRAKE ASSEMBLY

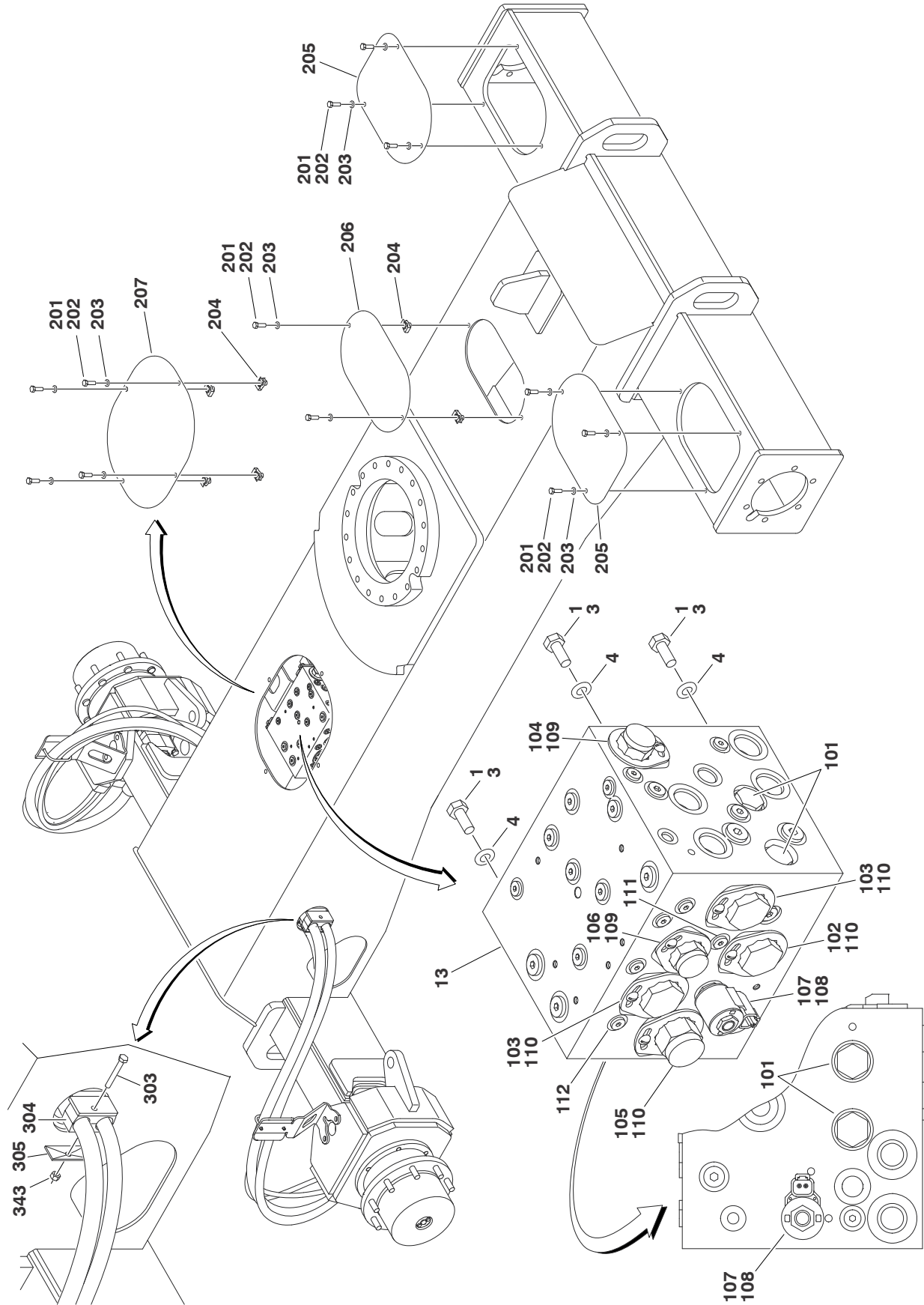
NOT AVAILABLE AT TIME OF PRINTING

FIGURE 1-4. DRIVE HUB/BRAKE ASSEMBLY

ITEM #	PART NUMBER	QTY.	DESCRIPTION	REV.
	1001132499	Ref Ref	DRIVE HUB/BRAKE ASSEMBLY Note: No Parts Available at Time of Printing.	E

SECTION 1 FRAME

FIGURE 1-5.DRIVE VALVES AND FRAME SHIELDS INSTALLATIONS



SECTION 1 FRAME

FIGURE 1-5. DRIVE VALVES AND FRAME SHIELDS INSTALLATIONS

ITEM #	PART NUMBER	QTY.	DESCRIPTION	REV.
	1001133907	Ref	DRIVE VALVES INSTALLATION	B
1	0100011	AR	Compound, Locking	
2	Not Used			
3	0761012	4	Bolt M10 x 25mm	
4	4812000	4	Flatwasher M10	
5 to 12	Not Used			
13	1001149866	1	Flow Divider Valve Assembly (See Items 101-116 for Breakdown)	
	1001149866	Ref	FLOW DIVIDER VALVE ASSEMBLY	B
101	7022397	4	Valve, Check	
	7022399	4	Seal Kit - 7022397 Cartridge	
102	70004017	1	Valve, Flow Divider	
	7021625	1	Seal Kit - 70004017 Cartridge	
103	70004018	2	Valve, Flow Divider	
	7021625	2	Seal Kit - 70004018 Cartridge	
104	70003957	1	Valve, Pilot	
	70003980	1	Seal Kit - 70003957 Cartridge	
105	70003958	1	Valve, Pilot	
	70003981	1	Seal Kit - 70003958 Cartridge	
106	70003959	1	Valve, Pilot	
	70003980	1	Seal Kit - 70003959 Cartridge	
107	7012974	2	Valve, Solenoid (Less Coil)	
	7010543	2	Seal Kit - 7012974 Cartridge	
108	70002386	2	Coil	
109	70002962	2	Lock Kit	
110	70000781	4	Lock Kit	
111	70003960	1	Orifice	
112	70002209	2	Orifice	
113		AR	Plug Options (Note: Not called out on Drawing):	
	7017406	11	Plug 1/4in (#4)	
	7024844	15	Plug 3/8in (#6)	
	7024845	11	Plug 1/2in (#8)	
	See Note	1	Plug 5/8in (#10) (Note: Not Available - Purchase Locally)	
	1001134994	Ref	FRAME SHIELDS INSTALLATION	A
201	0100011	AR	Compound, Locking	
202	0700812	12	Bolt M8 x 25mm	
203	4811900	12	Flatwasher M8	
204	1001118274	6	Nut, Clip M8	
205	1001133909	2	Cover, Axle	
206	1001133911	1	Cover, Frame	
207	1001145004	1	Cover, Frame	

SECTION 1 FRAME

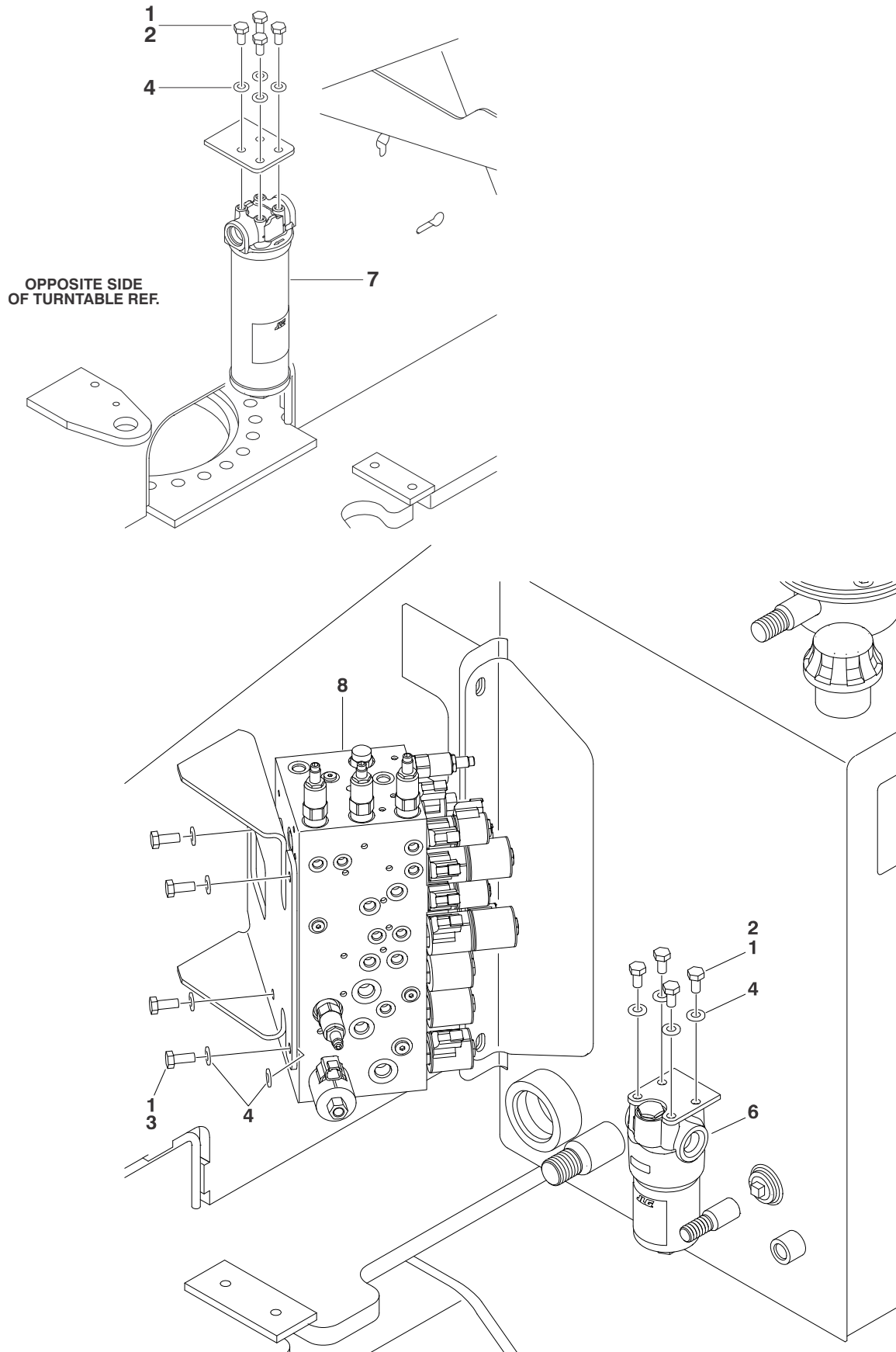
FIGURE 1-5. DRIVE VALVES AND FRAME SHIELDS INSTALLATIONS (CONTINUED)

ITEM #	PART NUMBER	QTY.	DESCRIPTION	REV.
	1001143680	Ref	HYDRAULIC INSTALLATION	D
301 to 302	Not Used			
303	0700820	2	Bolt M8 x 60mm	
304	1321143	2	Plate, Clamp Top	
305	1321320	2	Clamp	
306 to 342	Not Used			
343	3290805	2	Locknut M8	

SECTION 2 TURNTABLE

SECTION 2 TURNTABLE

FIGURE 2-1. CONTROL VALVE & HYDRAULIC FILTERS INSTALLATION



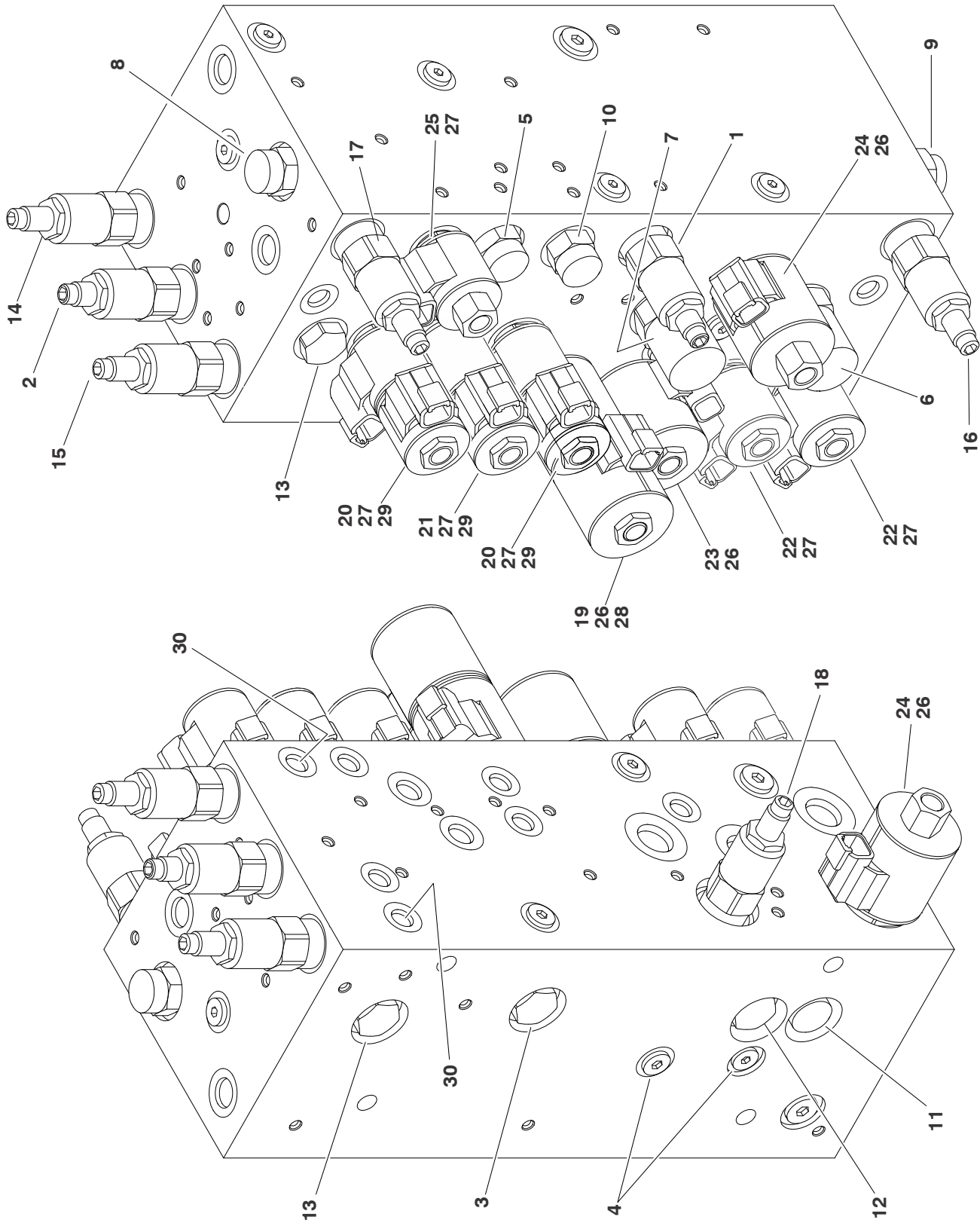
SECTION 2 TURNTABLE

FIGURE 2-1. CONTROL VALVE & HYDRAULIC FILTERS INSTALLATION

ITEM #	PART NUMBER	QTY.	DESCRIPTION	REV.
	1001133907	Ref	CONTROL VALVE & FILTERS INSTALLATION	B
1	0100011	AR	Compound, Locking	
2	0761010	8	Bolt M10 x 20mm	
3	0761012	4	Bolt M10 x 25mm	
4	4812000	16	Flatwasher M10	
5	Not Used			
6	1001132296	1	High Pressure Filter Assembly	C
	70003545	1	Element, Filter (Includes O-Ring)	
7	1001132299	1	Medium Pressure Filter Assembly	B
	70002231	1	Element, Filter (Includes O-Ring)	
8	1001132303	1	Main Control Valve Assembly (See MAIN CONTROL VALVE ASSEMBLY for Breakdown)	

SECTION 2 TURNTABLE

FIGURE 2-2.MAIN CONTROL VALVE ASSEMBLY



SECTION 2 TURNTABLE

FIGURE 2-2. MAIN CONTROL VALVE ASSEMBLY

ITEM #	PART NUMBER	QTY.	DESCRIPTION	REV.
	1001132303	Ref	MAIN VALVE ASSEMBLY	B
1	70003961	1	Cartridge, Crossover Relief	
	7021653	1	Seal Kit - 70003961 Cartridge	
2	70004151	1	Cartridge, Crossover Relief	
	7021653	1	Seal Kit - 70004151 Cartridge	
3	7012975	1	Cartridge, Check	
	7012540	1	Seal Kit - 7012975 Cartridge	
4	70002975	2	Cartridge, Check	
	70002976	2	Seal Kit - 70002975 Cartridge	
5	70003963	1	Cartridge, Compensator	
	7010543	1	Seal Kit - 7003963Cartridge	
6	70002973	1	Cartridge, Compensator	
	2900707	1	Seal Kit - 70002973 Cartridge	
7	70004152	1	Cartridge, Compensator	
	2900707	1	Seal Kit - 70004152 Cartridge	
8	70002972	1	Cartridge, Flow Control	
	7010543	1	Seal Kit - 70002972 Cartridge	
9	70002972	1	Cartridge, Flow Control	
	7010543	1	Seal Kit - 70002972Cartridge	
10	7012989	1	Cartridge, Flow Regulator	
	7012953	1	Seal Kit - 7012989 Cartridge	
11	7023984	1	Cartridge, Flow Regulator	
	7012953	1	Seal Kit - 7023984 Cartridge	
12	10837580	1	Cartridge, Load Shuttle	
	7010543	1	Seal Kit - 10837580 Cartridge	
13	7012914	2	Cartridge, Pilot Check	
	7012918	2	Seal Kit - 7012914 Cartridge	
14	70004153	1	Cartridge, Relief	
	7012998	1	Seal Kit - 70004153 Cartridge	
15	70003968	1	Cartridge, Relief	
	7012998	1	Seal Kit - 70003968 Cartridge	
16	7023913	1	Cartridge, Relief	
	7012998	1	Seal Kit - 7023913 Cartridge	
17	7017422	1	Cartridge, Relief	
	7012998	1	Seal Kit - 7017422 Cartridge	
18	70004154	1	Cartridge, Relief	
	7017496	1	Seal Kit - 70004154 Cartridge	
19	70003970	1	Cartridge, Solenoid (Without Coil)	
	70003976	1	Seal Kit - 70003970 Cartridge	
	7022390	1	Nut, Coil	
20	70003971	2	Cartridge, Solenoid (Without Coil)	
	70002967	2	Seal Kit - 70003971 Cartridge	
	7022390	2	Nut, Coil	
21	70002966	1	Cartridge, Solenoid (Without Coil)	
	70003976	1	Seal Kit - 70002996 Cartridge	
	7022390	1	Nut, Coil	

SECTION 2 TURNTABLE

FIGURE 2-2. MAIN CONTROL VALVE ASSEMBLY (CONTINUED)

ITEM #	PART NUMBER	QTY.	DESCRIPTION	REV.
22	7024884	2	Cartridge, Solenoid (Without Coil)	
	7012967	2	Seal Kit - 7024884 Cartridge	
	7022390	2	Nut, Coil	
23	70002401	1	Cartridge, Solenoid (Without Coil)	
	7017496	1	Seal Kit - 70002401 Cartridge	
	7022390	1	Nut, Coil	
24	7012910	2	Cartridge, Solenoid (Without Coil)	
	2900708	2	Seal Kit - 7012910 Cartridge	
	70003977	2	Nut, Coil	
25	7017410	1	Cartridge, Solenoid (Without Coil)	
	7012967	1	Seal Kit - 7017410 Cartridge	
	70003978	1	Nut, Coil	
26	70003788	5	Coil	
27	70002386	9	Coil	
28	70003974	1	Disc, Check Valve	
29	70002974	3	Disc, Check Valve	
30	70003975	2	Orifice	
29	See Note	AR	Plug Options (Note: Not called out on drawing):	
	7024844	1	Plug 3/8in (#6)	
	7017406	9	Plug 1/4in (#4)	

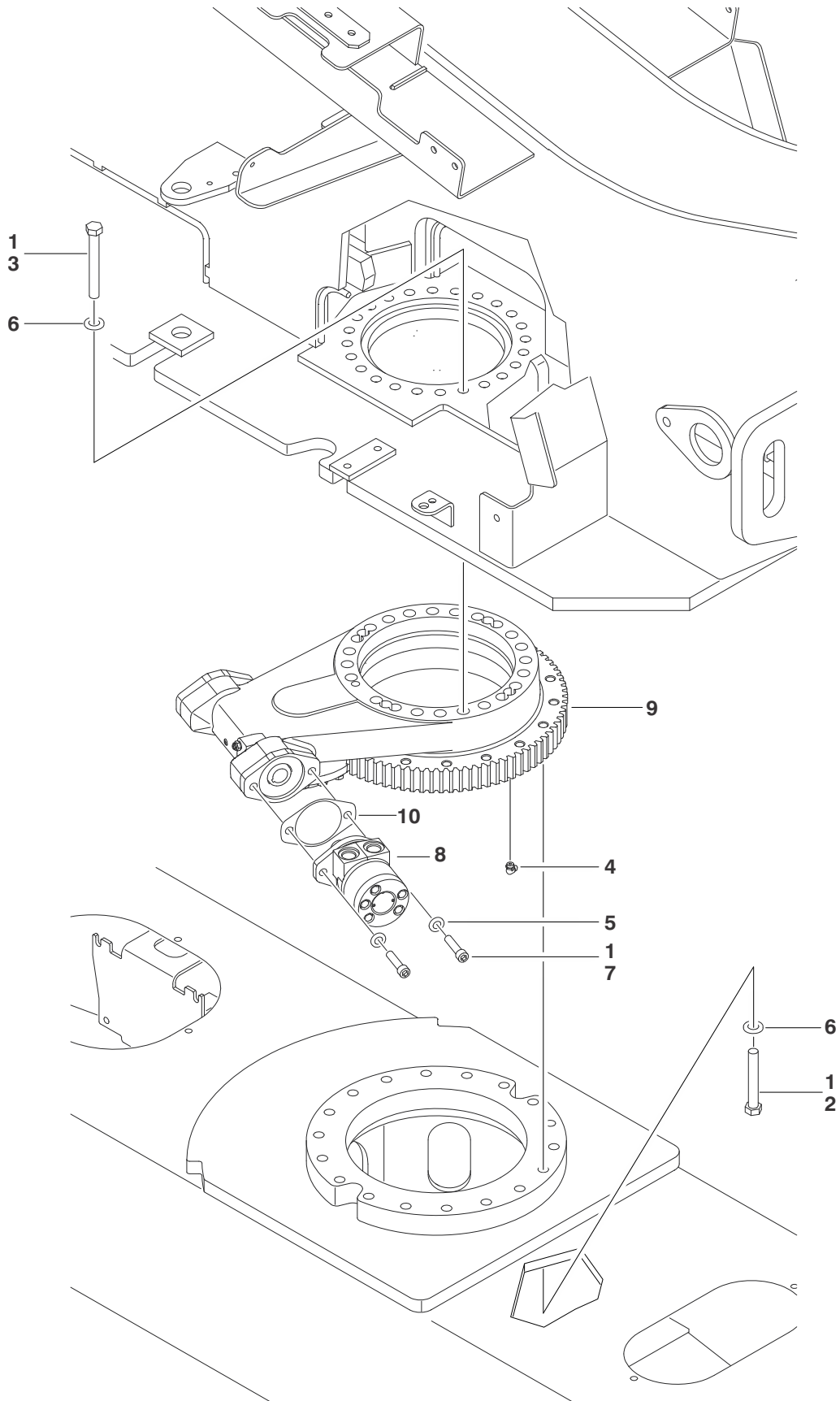
SECTION 2 TURNTABLE

FIGURE 2-2. MAIN CONTROL VALVE ASSEMBLY (CONTINUED)

ITEM #	PART NUMBER	QTY.	DESCRIPTION	REV.

SECTION 2 TURNTABLE

FIGURE 2-3. TURNTABLE BEARING AND SWING DRIVE INSTALLATION



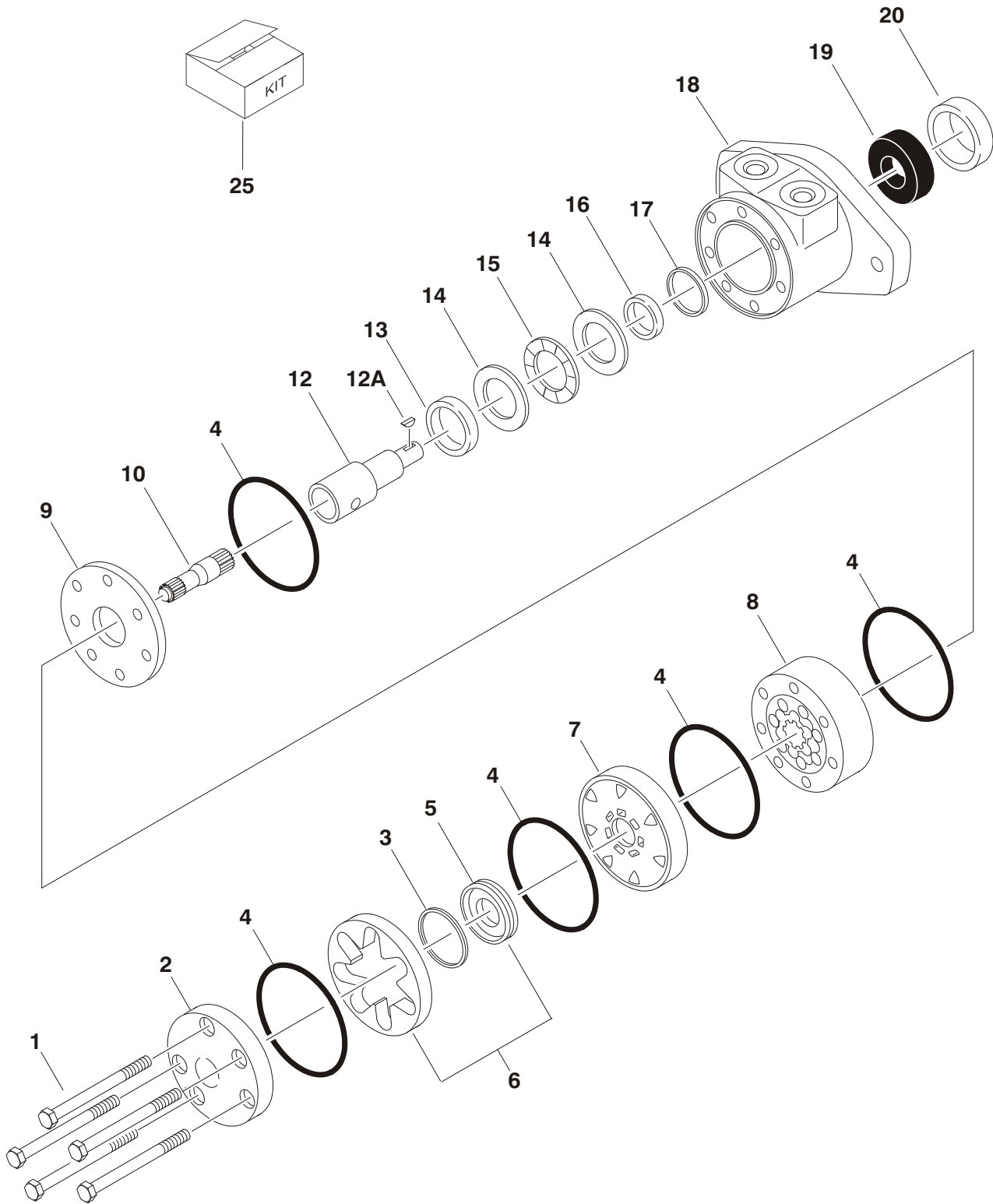
SECTION 2 TURNTABLE

FIGURE 2-3. TURNTABLE BEARING AND SWING DRIVE INSTALLATION

ITEM #	PART NUMBER	QTY.	DESCRIPTION	REV.
	1001134069	Ref	TURNTABLE BEARING AND SWING DRIVE	G
1	0100019	AR	Compound, Locking	
2	0711628	18	Bolt M16 x 110mm (Grade 10.9)	
3	0711630	23	Bolt M16 x 130mm (Grade 10.9)	
4	2160001	2	Fitting, Grease	
5	5241200	2	Flatwasher M12 Hardened	
6	5241600	41	Flatwasher M16 Hardened	
7	5272114	2	Capscrew M12 x 50mm	
8	1001104850	1	Swing Motor Assembly (See SWING MOTOR ASSEMBLY for Breakdown)	
9	1001133972	1	Swing Bearing and Rotation Box Assembly (See SWING BEARING AND ROTATION BOX ASSEMBLY for Breakdown)	
10	1001155744	1	Gasket	

SECTION 2 TURNTABLE

FIGURE 2-4. SWING MOTOR ASSEMBLY



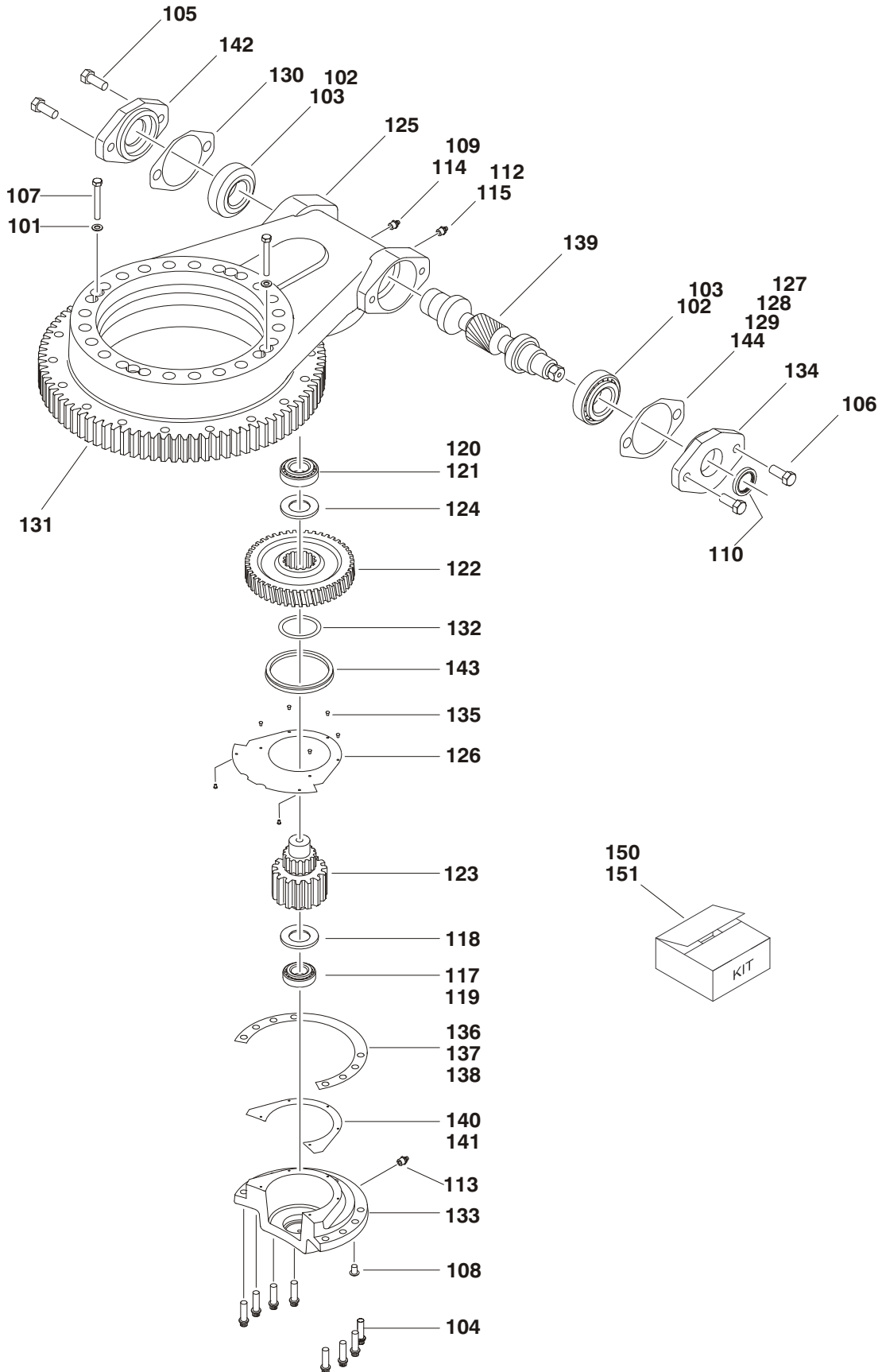
SECTION 2 TURNTABLE

FIGURE 2-4. SWING MOTOR ASSEMBLY

ITEM #	PART NUMBER	QTY.	DESCRIPTION	REV.
	1001104850	Ref	SWING MOTOR ASSEMBLY	A
1	See Note	5	Bolt (Note: Not Available for Purchase)	
2	7004035	1	Cover, End	
3	7023318	1	Seal, Commutator	
4	7004036	5	O-Ring	
5	Use 7024453	1	Commutator	
6	7024453	1	Commutator & Ring Assembly (Includes Items 5)	
7	7024379	1	Manifold	
8	70002206	1	Rotor Set	
9	7024380	1	Plate, Wear	
10	70002207	1	Link, Drive	
11	Not Used			
12	70000088	1	Shaft, Coupling	
12A	70000089	1	Key	
13	7024381	1	Bushing, Inner	
14	7004043	1	Thrustwasher	
15	7004044	1	Bearing, Thrust	
16	7004049	1	Seal, Inner Shaft	
17	7004045	1	Ring, Backup	
18	See Note	1	Housing (Note: Not Available - Purchase Complete Motor)	
19	7024390	1	Bearing	
20	7004047	1	Seal, Outer Shaft	
21 to 24	Not Used			
25	7024389	1	Seal Kit (Includes Items 3, 4, 16, 17 & 20)	

SECTION 2 TURNTABLE

FIGURE 2-5.SWING BEARING & ROTATION BOX ASSEMBLY



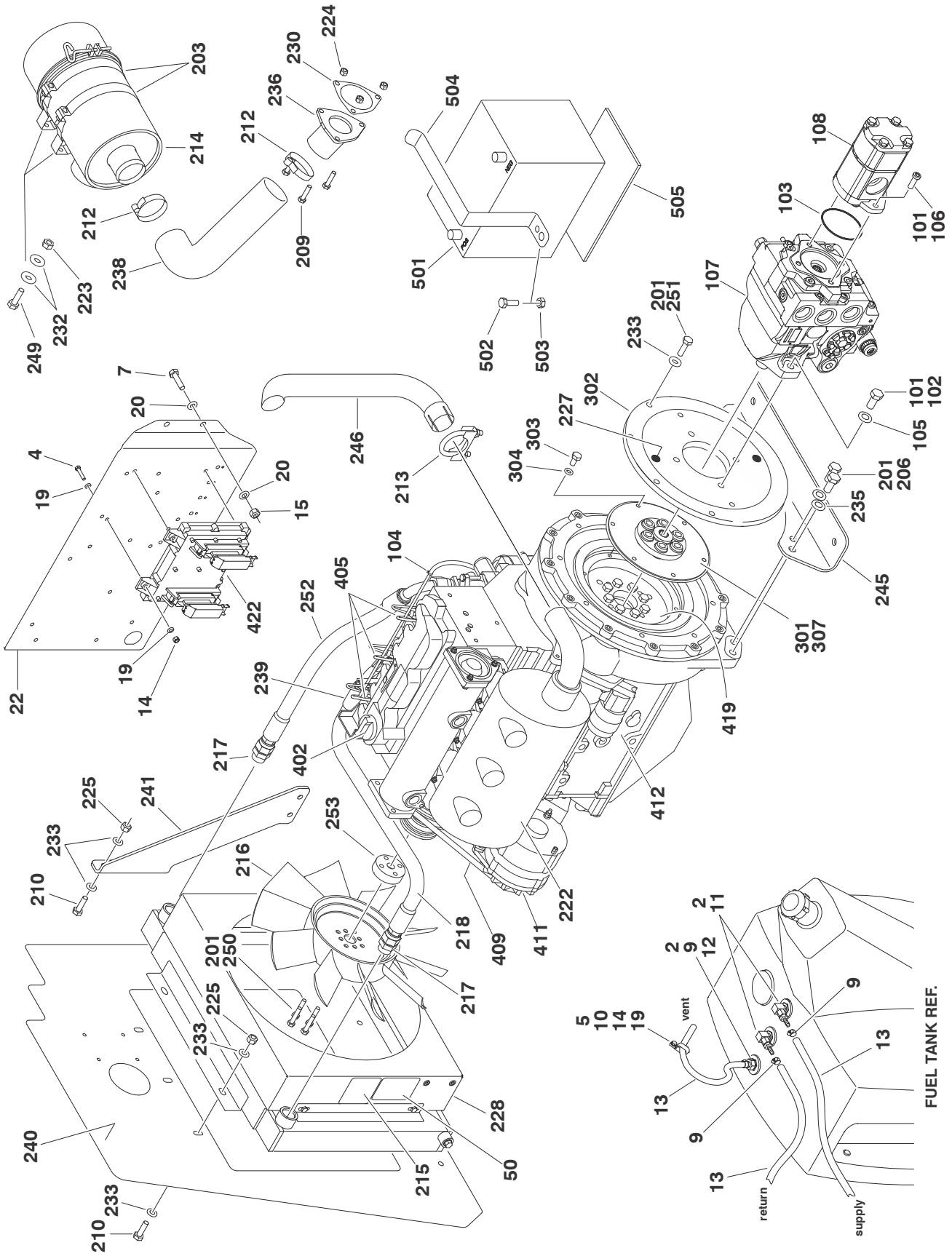
SECTION 2 TURNTABLE

FIGURE 2-5. SWING BEARING & ROTATION BOX ASSEMBLY

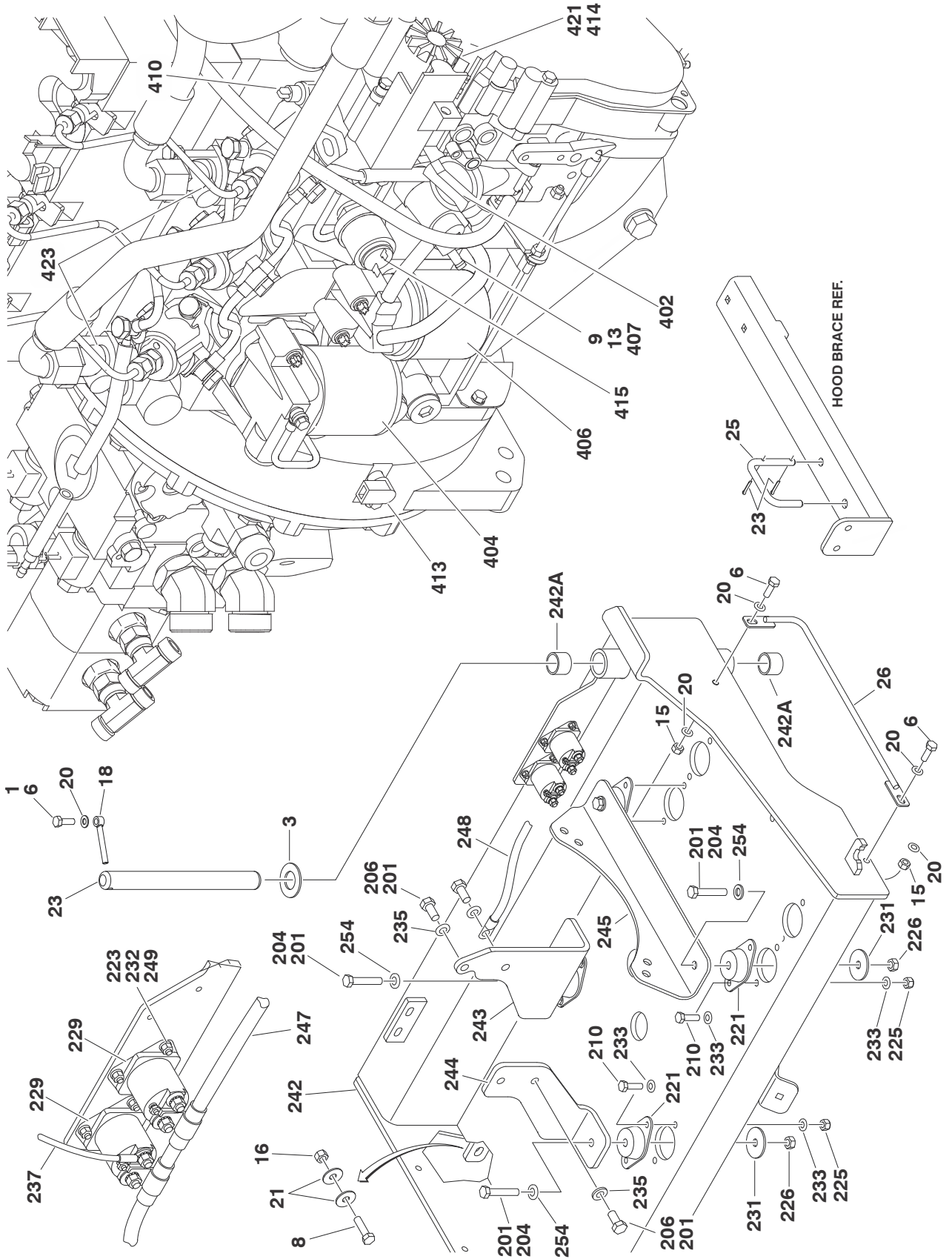
ITEM #	PART NUMBER	QTY.	DESCRIPTION	REV.
	1001133972	Ref	SWING BEARING & ROTATION BOX ASSEMBLY	D
101A	7026042	2	Cup, Bearing	
101B	7026043	2	Cone, Bearing	
102	7027356	1	Adapter, Motor	
103	7027354	1	Cap, Worm	
104	70004249	8	Bolt M10 x 1.5 x 35mm (Grade 10.9)	
105	70004250	2	Bolt M12 x 1.75 x 30mm (Grade 10.9)	
106	70004251	2	Bolt M12 x 1.75 x 40mm (Grade 10.9)	
107	70004252	2	Bolt M8 x 1.25 x 65mm	
108	Not Used			
109	70000865	1	Plug	
110	70002649	1	Vent, Pressure	
111	70002651	1	Fitting, Grease	
112	7026044	1	Bushing, Reducer	
113A	7026045	1	Cup, Bearing	
113B	7026047	1	Cone, Bearing	
114	7026046	1	Ring, Grease	
115A	7026048	1	Cup, Bearing	
115B	7026049	1	Cone, Bearing	
116	7026050	1	Worm-Gear	
117	7026052	1	Spacer, Washer	
118	See Note	1	Housing (Note: Not Available - Purchase Complete Assembly)	
119	7026053	1	Cover, Gear	
120		AR	Shim Options:	
	7027350		Shim, Blue (.005in)	
	7027351		Shim, Clear (.0075in)	
	7027352		Shim, Brown (.010in)	
121	7027353		Shim, Yellow (.020in)	
122	70004253	1	Bearing, Turntable	
123	70004254	1	O-Ring	
124	70004255	1	Cap, Gear	
125	70004256	8	Bolt M4 x .7 x 8mm	
126	70004257	AR	Shim, Green (.003)	
127	70004258	AR	Shim, Blue (.005)	
128	70004259	AR	Shim, Natural (.0075)	
129	7026057	1	Gear, Worm	
130	70004260	AR	Shim, Blue (.005)	
131	70004261	AR	Shim, Yellow (.020)	
132	70004262	1	Seal, Oil	
133	7026051	1	Pinion, Output	
134	70004263	1	Seal, Oil	

SECTION 2 TURNTABLE

FIGURE 2-6.DEUTZ ENGINE INSTALLATION



SECTION 2 TURNTABLE



SECTION 2 TURNTABLE

FIGURE 2-6. DEUTZ ENGINE INSTALLATION

ITEM #	PART NUMBER	QTY.	DESCRIPTION	REV.
	1001138042	Ref	DEUTZ ENGINE INSTALLATION	D
1	0100011	AR	Compound, Locking	
2	0100020	AR	Sealant, Pipe	
3	0440162	1	Thrustwasher	
4	0700614	4	Bolt M6 x 30mm	
5	0760612	1	Bolt M6 x 25mm	
6	0761014	3	Bolt M10 x 30mm	
7	0761016	5	Bolt M10 x 40mm	
8	0761217	1	Bolt M12 x 45mm	
9	1320022	5	Clamp	
10	1321385	1	Clamp, Hose	
11	2180348	2	Fitting, Straight Barbed	
12	2180876	1	Fitting, Straight Barbed	
13	2720058	18ft/5.6m	Hose	
14	3290605	5	Locknut M6	
15	3291005	7	Locknut M10	
16	3291205	1	Locknut M12	
17	3391408	2	Rollpin M4 x 20mm	
18	3841143	1	Keeper, Pin	
19	4811700	10	Flatwasher M6	
20	4812000	13	Flatwasher M10	
21	4812102	2	Flatwasher M12	
22	1001134767	1	Plate, Electrical Panel	
23	1001135196	1	Pin	
24	Not Used			
25	1001144325	1	Support, Tray	
26	1001150601	1	Support, Hose	
27 to 49	Not Used			
50		1	Decal - Warning Explosion/Fire Options:	
	1704972		ANSI Spec	
	1706059		Brazilian Spec	
	1706060		Chinese Spec	
	1706062		Japanese Spec	
	1706061		Korean Spec	
	1706063		Spanish Language	
	1001141216	Ref	ENGINE AND PUMP ASSEMBLY	D
101	0100011	AR	Compound, Locking	
102	0641813	2	Bolt 1/2in-13NC x 1-5/8in	
103	3790152	1	O-Ring	
104	Not Used			
105	4891800	2	Flatwasher, 1/2in Hardened	
106	1001157442	2	Bolt, Special (was p/n 1001150756)	
107	1001132305	1	Piston Pump Assembly (See PISTON PUMP ASSEMBLY for Breakdown)	

SECTION 2 TURNTABLE

FIGURE 2-6. DEUTZ ENGINE INSTALLATION (CONTINUED)

ITEM #	PART NUMBER	QTY.	DESCRIPTION	REV.
108	1001132306	1	Gear Pump Assembly (Note: Only Serviceable Parts is the Seal Kit)	
	70004326	1	Seal Kit	
	70004327	1	Seal, Lip	
	1001141250	Ref	ENGINE ASSEMBLY	H
201	0100011	AR	Compound, Locking	
202	Not Used			
203	0340041	2	Band, Air Cleaner	
204	0711221	4	Bolt M12 x 65mm Grade 10.9	
205	Not Used			
206	0711414	8	Bolt M14 x 30mm Grade 10.9	
207 to 208	Not Used			
209	0760815	3	Bolt M8 x 35mm	
210	0761015	21	Bolt M10 x 35mm	
211	Not Used			
212	1320016	2	Clamp	
213	1320176	1	U-Bolt	
214	1340060	1	Air Cleaner Assembly Including Filter Element	A
	7012664	1	Element, Filter (Not Shown)	
215	1703162	2	Decal - Caution Fan Blade	
216	2060025	1	Fan	
217	2220451	2	Fitting, Straight	
218	2720398	1	Hose, Oil Cooler	
219	3020016	10qt/9.5L	Oil, Motor (Not Shown)	
220	Not Used			
221	3200406	4	Mount, Motor	
222	1001156545	1	Muffler	
	7024560	1	Plug, Brass	
223	3290605	8	Locknut M6	
224	3290805	3	Locknut M8	
225	3291005	21	Locknut M10	
226	3331211	4	Locknut M12	
227	3520054	2	Plug, Hole	
228	1001150998	1	Radiator	
229	3740067	2	Relay	
230	3960407	1	Gasket, Air Intake	
231	1001139409	4	Flatwasher, Special	
232	4811700	16	Flatwasher M6	
233	4812000	50	Flatwasher M10	
234	Not Used			
235	4812200	8	Flatwasher M14	
236	4845395	1	Adapter, Air Intake	
237	4923451	1	Harness, Glow Plug	
238	1001091179	1	Elbow, Elbow (Air Intake)	
239	1001092723	1	Engine, Deutz - D2011L03 (See Items 401-423 for Available Components)	
240	1001131564	1	Plate, Radiator Mounting	
241	1001131565	1	Support, Radiator Plate	

SECTION 2 TURNTABLE

FIGURE 2-6. DEUTZ ENGINE INSTALLATION (CONTINUED)

ITEM #	PART NUMBER	QTY.	DESCRIPTION	REV.
242	1001131568	1	Tray, Engine	
242A	0961951	2	Bushing	
243	1001132195	1	Bracket, Engine Mounting (Right)	
244	1001132196	1	Bracket, Engine Mounting (Left)	
245	1001132197	1	Bracket, Engine Mounting (Rear)	
246	1001139388	1	Pipe, Exhaust	
247	1001140605	1	Cable, Positive Battery	
248	1001139628	1	Cable, Negative Battery	
249	0760610	8	Bolt, Metric M6 x 20mm	
250	0761012	4	Bolt, Metric M8 x 25mm	
251	0761012	8	Bolt, Metric M10 x 25mm	
252	2720447	1	Hose, Oil Cooler	
253	1001144548	1	Spacer, Fan	
	0256847	Ref	PUMP COUPLING INSTALLATION	2
301	1660234	1	Coupling, Hayes	
302	0080163	1	Plate, Pump Adapter	
303	0700810	6	Bolt M8 x 20mm	
304	4831900	6	Lockwasher M8	
305 to 306	Not Used			
307	3020021	AR	Grease, Coupling	
	1001092723	Ref	ENGINE COMPONENTS	
401	Use 7020026	1	Dipstick (was p/n 7027244) (Not Shown)	
	70001002		Tube, Dipstick	
402	7020465	2	Cap, Filler	
403	7020495	1	Pump, Oil Lube	
	7020468	1	Seal Between Oil Pump & Engine Block (Not Shown)	
404	7016331	1	Filter, Oil	
	7027236	1	Sensor, Oil Temperature (Not Shown - Located in Rear Of Filter Mount)	
405		3	Pump, Injector Options:	
	7027242		Series A Injector	
	7027611		Series B Injector	
	7027612		Series C Injector	
	7027613		Series D Injector	
	7020447	3	Gasket, Injector Pump	
	7000345	3	Plug, Glow	
406	7020023	1	Filter, Fuel	
	70001423	1	Bracket, Fuel Filter	
407	Use 70000916	1	Pump Fuel Supply (was p/n 7027238)	
	70000919	1	Pump, Hand	
	7020411	1	O-Seal Between Fuel Pump & Engine Block (Not Shown)	
	70001435	1	Replacement Filter	
408	7020449	3	Gasket, Intake Manifold (Not Shown)	
	7020471	3	Gasket, Exhaust (Not Shown)	
	70002200	6	Stud, Exhaust (Not Shown)	
409	7020408	1	V-Belt	

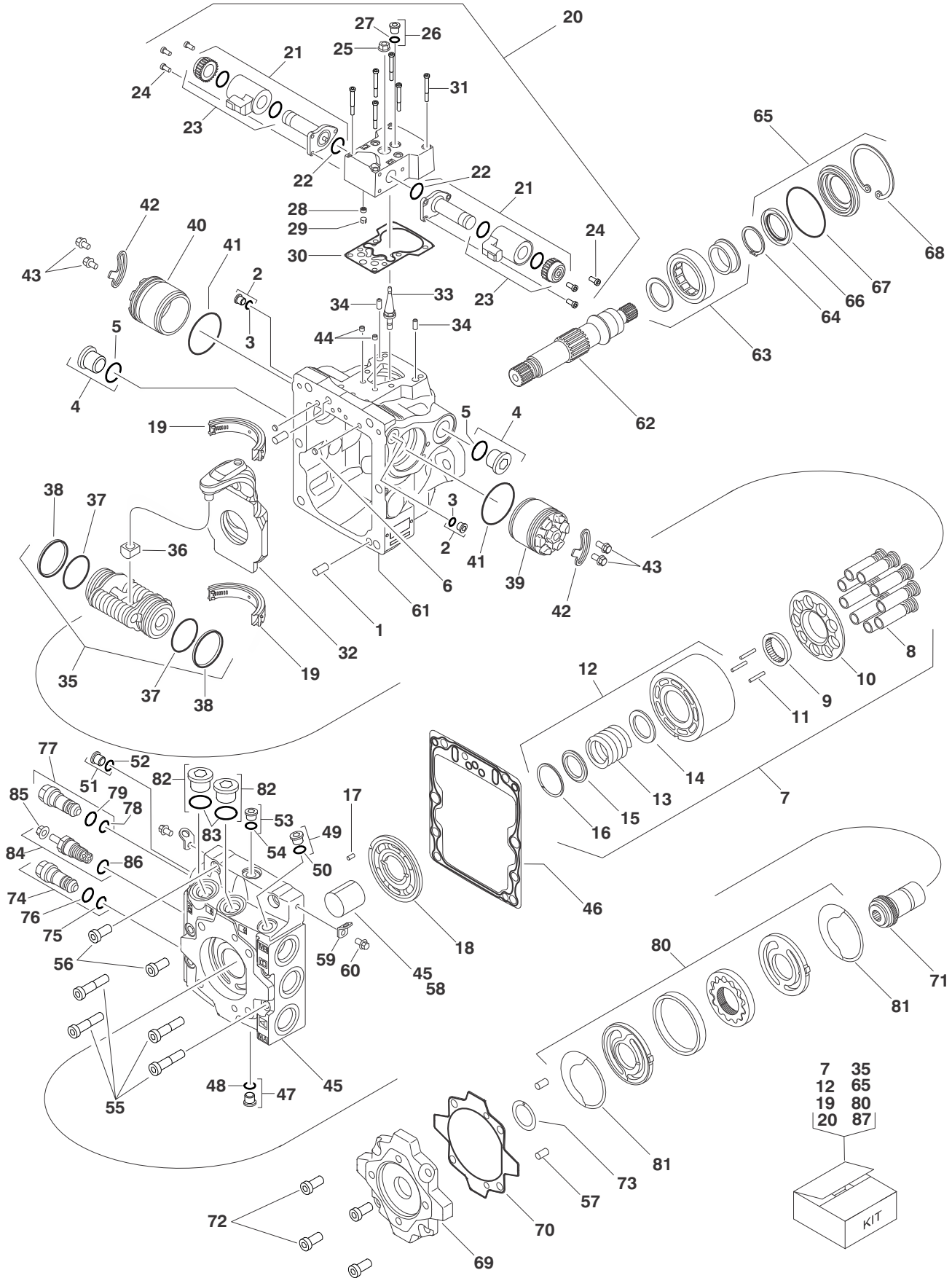
SECTION 2 TURNTABLE

FIGURE 2-6. DEUTZ ENGINE INSTALLATION (CONTINUED)

ITEM #	PART NUMBER	QTY.	DESCRIPTION	REV.
410	7027791	1	Sensor, Temperature	
411	7020410	1	Alternator	
	70002234	1	Bracket, Adjustment	
	7020464	1	Regulator, Voltage (Not Shown)	
412	7020479	1	Starter	
	7026608	1	Relay, Starter	
413	7024565	1	Tacho-Generator	
	70003932	1	Spacer, Sensor	
414	7027792	1	Actuator, Throttle	
	7027276	2	Spring, Replacement	
415	7027790	1	Sensor, Oil Pressure	
416 to 417	Not Used			
418	7020459	1	Thermostat	
	7020460	1	Spring, Compression	
419	See Note	1	Flywheel (Note: Not Available for Purchase)	
	7024579	1	Rim, Gear (Not Shown)	
420	7027245	1	Filter, Fuel (In-line) (Not Shown)	
421	7027239	1	Solenoid	
422	7027795	1	Module, EMR2	
	7027793	1	Connector, Plug-in (Connects to Deutz Engine Harness p/n 7027796)	
	7027796	1	Harness, Deutz Engine Harness (Connects to LH Terminal on Module)	
	7027794	1	Harness, Deutz Engine Harness (Connects to Harness p/n 7027796)	
423	7027769	2	Connector, Radiator	
	1001139019	Ref	BATTERY INSTALLATION	D
501	0400003	1	Battery	
502	0761014	1	Bolt M10 x 30mm	
503	3291001	1	Nut M10	
504	100113951	1	Strap, Battery	
505	1001140252	1	Seat, Battery	

SECTION 2 TURNTABLE

FIGURE 2-7.PISTON PUMP ASSEMBLY



SECTION 2 TURNTABLE

FIGURE 2-7. PISTON PUMP ASSEMBLY

ITEM #	PART NUMBER	QTY.	DESCRIPTION	REV.
	1001132305	Ref	PISTON PUMP ASSEMBLY	B
1	70002132	2	Pin	
2	70002133	2	Plug Assembly (Includes Item 3)	
3	7007207	2	O-Ring (Part of Item 2)	
4	7007419	2	Plug Assembly (Includes Item 5)	
5	7007418	2	O-Ring (Part of Item 4)	
6	70002134	2	Screen	
7	70004021	1	Cylinder Block Kit (Includes Items 8-16)	
8	70004027	1	Piston Assembly Kit (Includes Qty 9 Piston Assemblies) (Part of Item 7)	
9	70002137	1	Guide, Slipper Retainer (Part of Item 7)	
10	70002138	1	Retainer, Slipper (Part of Item 7)	
11	7021275	3	Pin, Slipper Retainer Holddown (Part of Item 7)	
12	70004022	1	Cylinder Block Assembly (Includes Item 13-16) (Part of Item 7)	
13	Use 70004022	1	Spring (Note: Not Available for Purchase)	
14	Use 70004022	1	Washer (Note: Not Available for Purchase)	
15	Use 70004022	1	Washer (Note: Not Available for Purchase)	
16	Use 70004022	1	Ring, Retaining (Note: Not Available for Purchase)	
17	7007446	1	Pin	
18	70002601	1	Plate, CW Valve	
19	70002145	1	Swashplate Bearing Kit (Includes Qty 2 Bearings)	
20	70004028	1	EDC Kit (Includes Items 21-31)	
21	70002147	2	Solenoid Valve Assy (Includes Item 22 & 23) (Part of Item 20)	
22	70002148	2	O-Ring (1 Per Valve Assembly) (Part of Item 21)	
23	70002149	2	Coil, Nut & Seals Kit (1 Per Valve Assembly) (Part of Item 21)	
24	70002150	6	Screw (Part of Item 20)	
25	7022301	1	Nut, Seal (Part of Item 20)	
26	70002151	1	Plug Assembly (Part of Item 20) (Includes Item 27)	
27	7007207	1	O-Ring (Part of Item 26)	
28	70002134	1	Screen (Part of Item 20)	
29	70002153	1	Ring, Locking (Part of Item 20)	
30	70002154	1	Gasket, Control (Part of Item 20)	
31	70002156	6	Capscrew (Part of Item 20)	
32	70002152	1	Swashplate	
33	70002155	1	Link, Swashplate	
34	70002157	2	Pin, Dowel	
35	70004024	1	Servo Piston Assembly (Includes Items 36-38)	
36	70004025		Block, Slider (Part of Item 35)	
37	70002160	2	O-Ring (Part of Item 35)	
38	70002161	2	Ring, Piston (Part of Item 35)	
39	70002603	1	Cylinder, Servo (Includes Item 41)	
40	70002603	1	Cylinder, Servo (Includes Item 41)	
41	70002163	2	O-Ring (Part of Items 39 & 40)	
42	70002164	2	Plate, Locking	
43	70002165	4	Screw	
44	70002604	2	Orifice	
45	70002863	1	Cap, End (Includes Item 58)	
46	70002168	1	Gasket, End Cap	

SECTION 2 TURNTABLE

FIGURE 2-7. PISTON PUMP ASSEMBLY (CONTINUED)

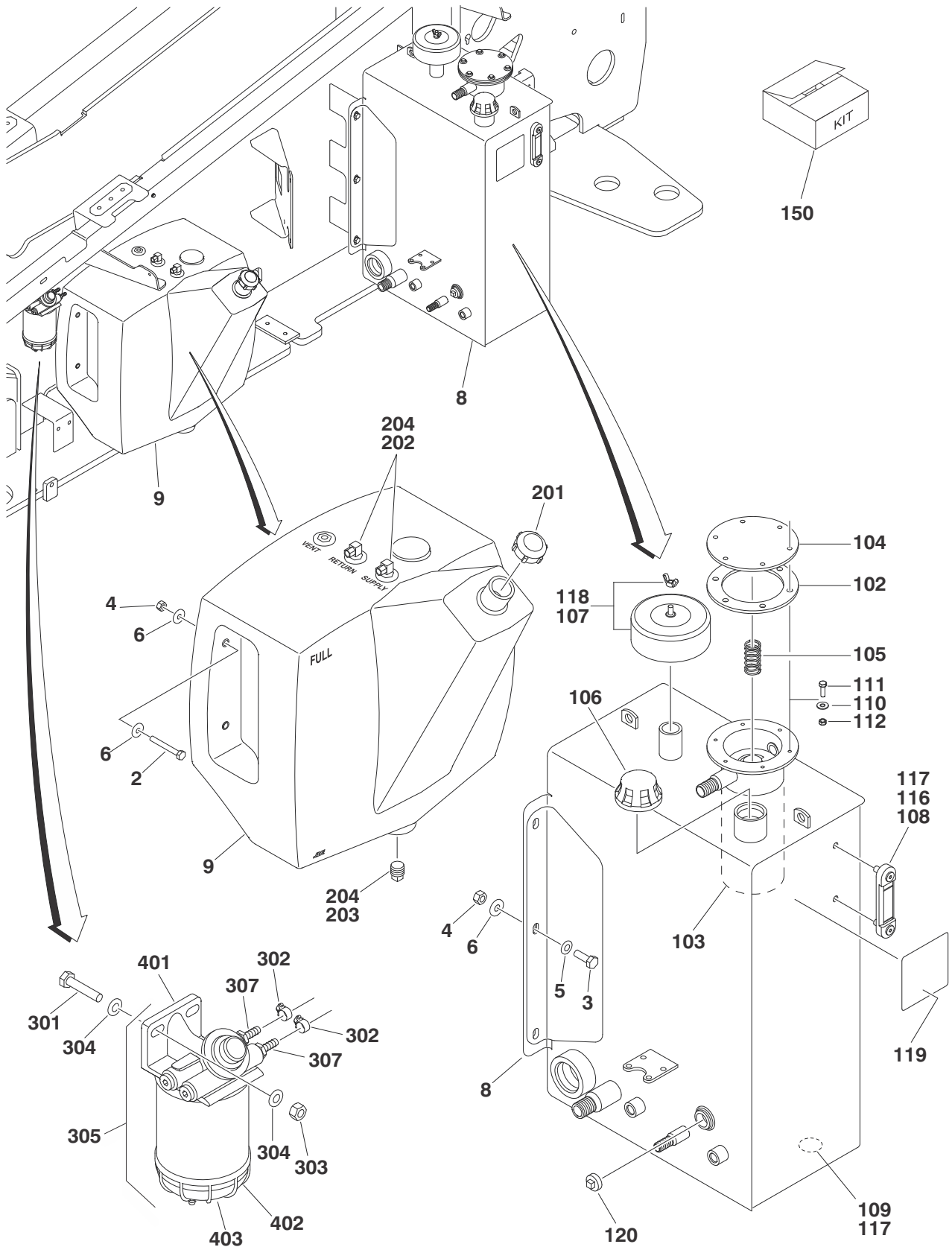
ITEM #	PART NUMBER	QTY.	DESCRIPTION	REV.
47	70001958	1	Plug Assembly (Includes Item 48)	
48	7021256	1	O-Ring (Part of Item 47)	
49	70001958	1	Plug Assembly (Includes Item 50)	
50	7021256	1	O-Ring (Part of Item 49)	
51	70001958	1	Plug Assembly (Includes Item 52)	
52	7021256	1	O-Ring (Part of Item 51)	
53	70001958	1	Plug Assembly (Includes Item 54)	
54	7021256	1	O-Ring (Part of Item 53)	
55	70002169	4	Capscrew	
56	70002170	2	Capscrew	
57	70002132	2	Pin	
58	70002172	1	Bearing, Journal (Part of Item 45)	
59	7022340	2	Bracket, Lifting	
60	70002165	2	Screw	
61	Use 1001132305	1	Housing	
62	70002175	1	Shaft	
63	70002176	1	Ball Bearing Kit	
64	70007439	1	Ring, Retaining	
65	70002174	1	Shaft Seal Kit (Includes Items 66-68)	
66	70002177	1	Seal, Lip	
67	70002178	1	O-Ring	
68	7007438	1	Ring, Retaining	
69	70002180	1	Adapter	
70	70002181	1	Seal, Adapter	
71	70002182	1	Coupling	
72	70002185	4	Capscrew	
73	70002186	1	Plate, Thrust	
74	70002188	1	High Pressure Relief Valve Cartridge Assy (Includes Item 75 & 76)	
75	70002187	1	O-Ring (1 Per Cartridge) (Part of Item 74)	
76	7007415	1	O-Ring (1 Per Cartridge) (Part of Item 74)	
77	70004026	1	High Pressure Relief Valve Cartridge Assy (Includes Item 75 & 76)	
78	70002187	1	O-Ring (1 Per Cartridge) (Part of Item 74)	
79	7007415	1	O-Ring (1 Per Cartridge) (Part of Item 74)	
80	70002189	1	Charge Pump Kit (Includes Item 81)	
81	70002867	2	Ring, Seal (Part of Item 80)	
82	7023964	2	Plug Assembly (Includes Item 83)	
83	7007415	2	O-Ring (Part of Item 82)	
84	70002191	1	Charge Relief Valve Cartridge Assy (Includes Item 85 & 86)	
85	7022301	1	Nut, Seal (Part of Item 84)	
86	7007415	1	O-Ring (Part of Item 84)	
87	70002192	1	Overhaul Seal Kit (Includes Items 3,5,22,27,30,37,38,41,48,50,52,54,66,67,70,75,76,78,79,81,83 & 86)	

FIGURE 2-7. PISTON PUMP ASSEMBLY (CONTINUED)

ITEM #	PART NUMBER	QTY.	DESCRIPTION	REV.

SECTION 2 TURNTABLE

FIGURE 2-8. TANK INSTALLATIONS



SECTION 2 TURNTABLE

FIGURE 2-8. TANK INSTALLATIONS

ITEM #	PART NUMBER	QTY.	DESCRIPTION	REV.
	1001137435	Ref	TANK INSTALLATION	C
1	Not Used			
2	0701024	4	Bolt M10 x 80mm	
3	0761014	6	Bolt M10 x 30mm	
4	3291005	10	Locknut M10	
5	4812000	6	Flatwasher M10	
6	4812002	14	Flatwasher M10	
7	Not Used			
8	1001132232	1	Hydraulic Tank Assembly (See Items 101-150 for Breakdown)	
9	1001136300	1	Tank, Fuel (See Items 201-204 for Breakdown):	
	1001132232	Ref	HYDRAULIC TANK ASSEMBLY	G
101	Not Used			
102	70002839	1	Gasket, Filter	
103	Use 70003614	1	Element, Filter	
104	Use 1001132232	1	Cover	
105	70004195	1	Spring	
106	70002838	1	Fill Cap Assembly	
107	Use 70003614	1	Breather Assembly	
108	7024441	1	Gauge	
109	70004196	1	Plug	
110	70004197	6	Flatwasher 5/16in Stainless Steel	
111	70004198	6	Bolt 5/16in-18NC x 1in Stainless Steel	
112	70004199	6	Nut 5/16in-18NC Stainless Steel	
113 to 115	Not Used			
116	See Note	AR	Compound, Locking (Note: Use Loctite #243)	
117	See Note	AR	Lubricant (Note: Not Available)	
118	See Note	AR	Sealant (Note: Use Loctite #565)	
119	70004200	1	Decal, Service	
120	See Note	1	Plug (Note: Not Available - Purchase Locally)	
150	70003614		----- Filter Kit (Includes Return Filter Element & Air Breather Element)	
	1001136300	Ref	FUEL TANK ASSEMBLY	C
		Ref	Note: No Parts Available at Time of Printing.	
201		1	Cap, Fill	
202		2	Tube, Steel with Elbow Fitting	
203		1	Plug	
204	0100020	AR	Sealant	
	1001146991	Ref	FUEL FILTER INSTALLATION (OPTIONAL)	B
301	0701018	2	Bolt M10 x 50mm	
302	1320022	2	Clamp	
303	3291005	2	Locknut M10	
304	4812000	4	Flatwasher M10	

SECTION 2 TURNTABLE

FIGURE 2-8. TANK INSTALLATIONS (CONTINUED)

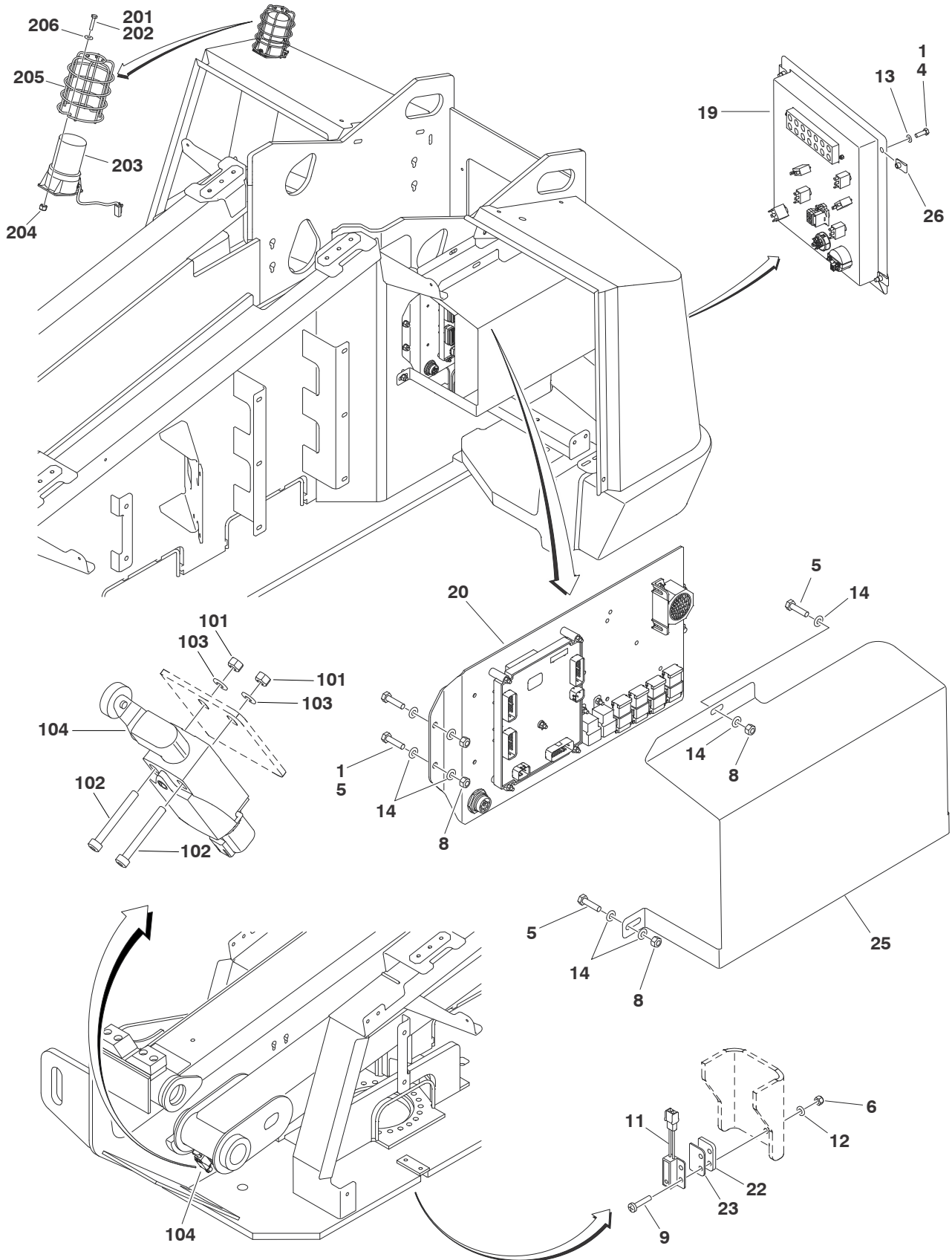
ITEM #	PART NUMBER	QTY.	DESCRIPTION	REV.
305	1001136173	1	Water Separator Filter Assembly (See Item 401-410 for Breakdown)	
306	Not Used			
307	2180876	2	Fitting, Straight Barbed	
	1001136173	Ref	WATER SEPARATOR FILTER ASSEMBLY (OPTIONAL)	B
401	70004063	1	Head, Mounting Kit (Includes Plugs & #4 Bypass Valve)	
	70004064	1	Valve, Bypass	
	70004065	1	Gasket - Head to Element	
402	70004066	1	Element, Filter	
403	70004065	1	Gasket - Element to Bowl	
	70004068	1	Bowl Kit (Includes Bowl, #402 Element Plug & Drain)	
	70004069	1	Plug	
	70004070	1	Drain, Self-Vented	

FIGURE 2-8. TANK INSTALLATIONS (CONTINUED)

ITEM #	PART NUMBER	QTY.	DESCRIPTION	REV.

SECTION 2 TURNTABLE

FIGURE 2-9. ELECTRICAL COMPONENTS INSTALLATION (TURNTABLE MOUNTED)



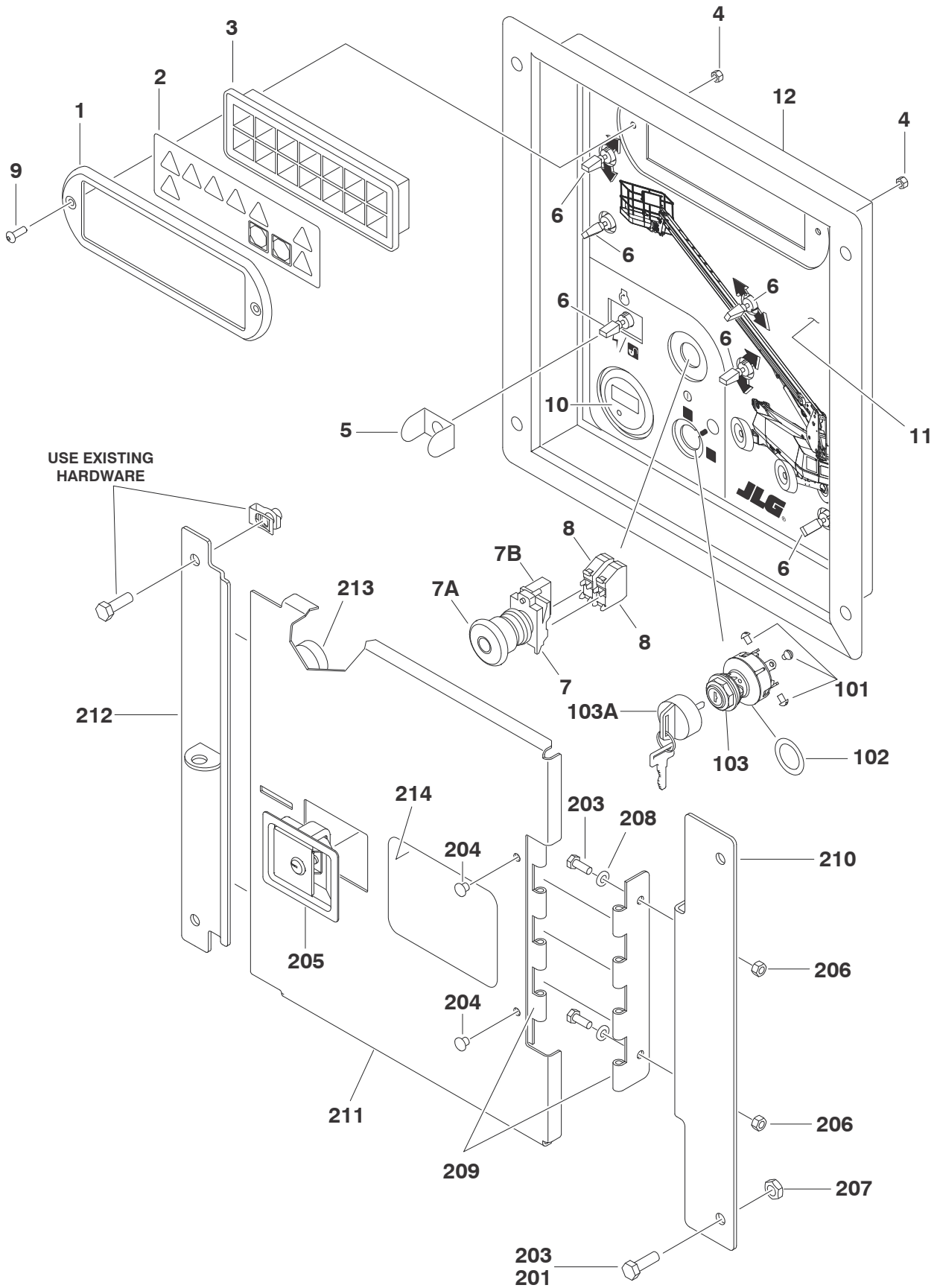
SECTION 2 TURNTABLE

FIGURE 2-9. ELECTRICAL COMPONENTS INSTALLATION (TURNTABLE MOUNTED)

ITEM #	PART NUMBER	QTY.	DESCRIPTION	REV.
	1001137908	Ref	ELECTRICAL INSTALLATION	E
1	0100011	AR	Compound, Locking	
2 to 3	Not Used			
4	0760812	4	Bolt M8 x 25mm	
5	0761016	6	Bolt M10 x 40mm	
6	3290605	2	Locknut M6	
7	3290805	1	Locknut M8 (Not Shown - Located on Starter)	
8	3291005	6	Locknut M10	
9	3900392	2	Bolt M6 x 30mm Stainless Steel	
10	4240018	6	Tie-Strap (Not Shown)	
11	4360514	1	Switch, Proximity	
12	4811700	2	Flatwasher M6	
13	4811900	6	Flatwasher M8	
14	4812000	12	Flatwasher M10	
15 to 18	Not Used			
19	1001134791	1	Ground Control Panel Assembly (See GROUND CONTROL PANEL ASSEMBLY for Breakdown)	
20	1001134830	1	Electrical Panel Assembly (See ELECTRICAL PANEL ASSEMBLY for Breakdown)	
21	Not Used			
22	1001140710	2	Shim	
23	1001141075	3	Shim	
24	Not Used			
25	1001148387	1	Cover	
26	1001149160	4	Nut, Tinnerman M8	
	1001139015	Ref	LIMIT SWITCH INSTALLATION	B
101	3290405	2	Locknut M4	
102	4031511	2	Capscrew M4 x 35mm	
103	4811400	4	Flatwasher M4	
104	1001145548	1	Switch, Limit	
	1001139023	Ref	BEACON LIGHT INSTALLATION (OPTIONAL)	B
201	0100011	AR	Compound, Locking	
202	0760410	2	Bolt M4 x 20mm	
203	2920161	1	Strobe Light Assembly	
	7016319	1	Bulb, Replacement	
	7016372	1	Lens	
204	3290405	2	Locknut M4	
205	4060865	1	Guard	
206	1001091102	2	Flatwasher M4	

SECTION 2 TURNTABLE

FIGURE 2-10.GROUND CONTROL PANEL ASSEMBLY



SECTION 2 TURNTABLE

FIGURE 2-10. GROUND CONTROL PANEL ASSEMBLY

ITEM #	PART NUMBER	QTY.	DESCRIPTION	REV.
	1001134791	Ref	GROUND CONTROL PANEL ASSEMBLY	A
1	1670829	1	Bezel	
2	1706712	1	Decal - Display Panel	
3	2760105	1	Housing, Display Light	
4	3290505	2	Locknut M5	
5	4060906	1	Shield, Toggle Switch	
6	4360328	6	Switch, Toggle	
7	4360475	1	Switch, Emergency Stop	
7A	7020175	1	Cap, Mushroom Head	
7B	7020176	1	Block, Contact	
8	4360476	1	Switch, Contact Block	
9	1001099125	2	Screw, Button Head M5 x 16mm	
10	1001109503	1	Gauge, Indicator	
11	1001133881	1	Decal - Ground Control	
12	1001134790	1	Panel	
	1001140733	Ref	KEY SWITCH ASSEMBLY	A
101	3910804	6	Screw #8-32NC x 1/4in	
102	4070987	1	Shim	
103	4360469	1	Switch, Key	
103A	2860030	1 Pr	Key	
	1001145713	Ref	GROUND CONTROL DOOR INSTALLATION (OPTIONAL)	B
201	0100019	AR	Compound, Locking	
202	0760608	2	Bolt M6 x 16mm	
203	0760814	2	Bolt M* x 30mm	
204	2080040	2	Fastener, Huck	
205	2940045	1	Latch	
206	3290607	2	Locknut M6	
207	3290801	2	Locknut M8	
208	4811700	2	Flatwasher M6	
209	1001120092	1	Hinge	
210	1001147054	1	Plate, Mounting	
211	1001147055	1	Door	
212	1001149749	1	Bracket	
213	7189000015	2	Bumper	
214	1001151250	1	Decal - Emergency Stop	

SECTION 2 TURNTABLE

FIGURE 2-11. ELECTRICAL PANEL ASSEMBLY

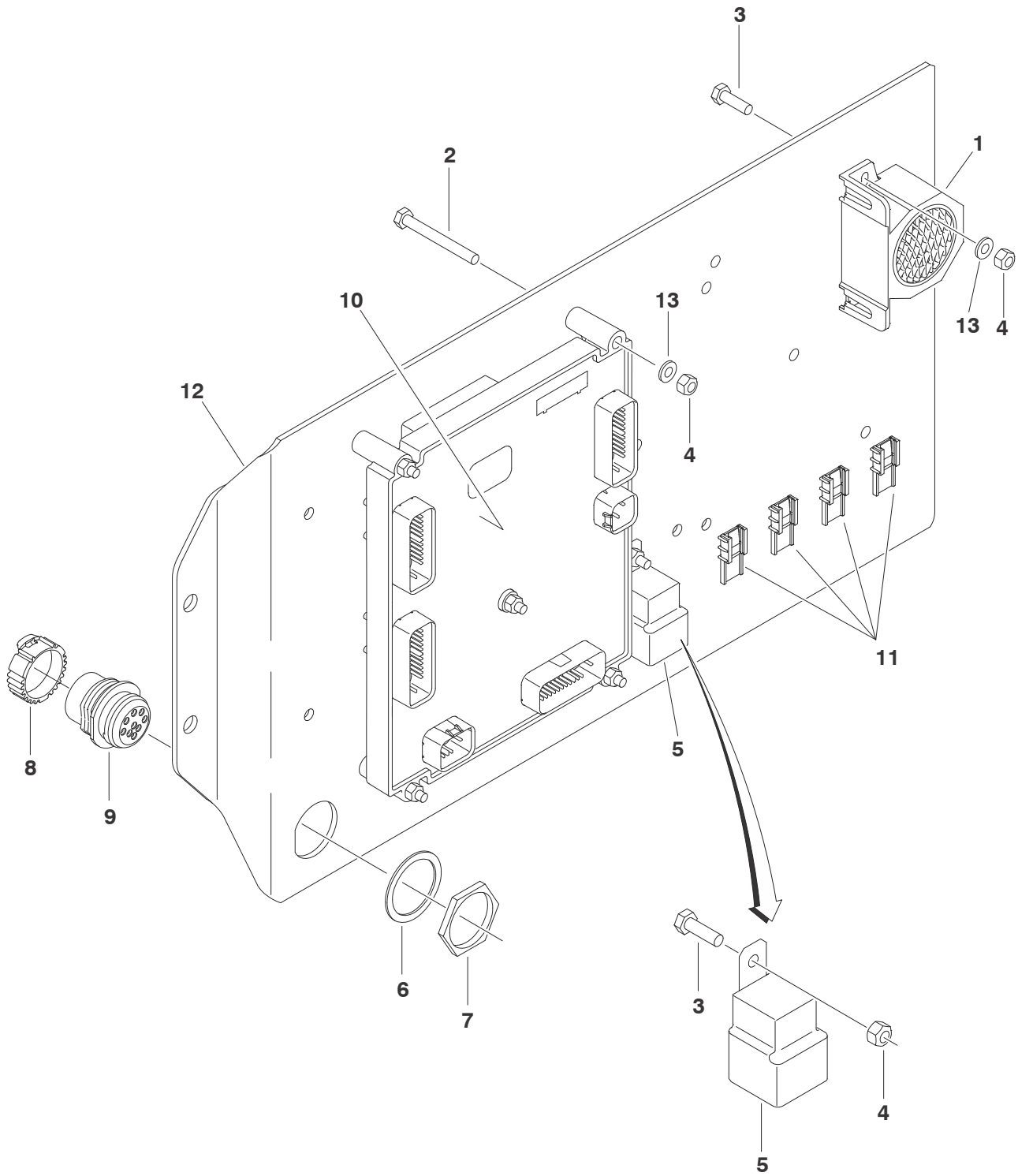
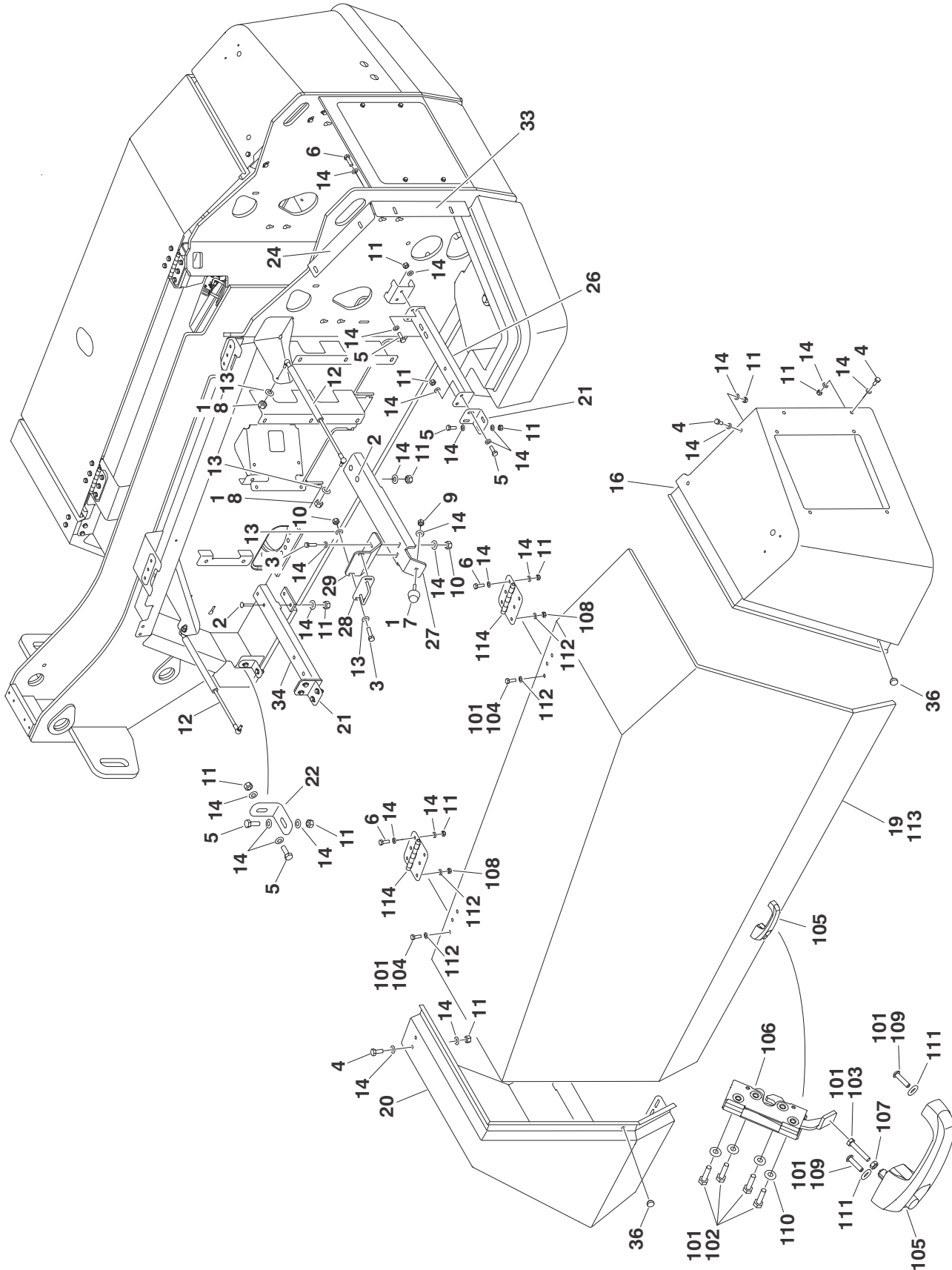


FIGURE 2-11. ELECTRICAL PANEL ASSEMBLY

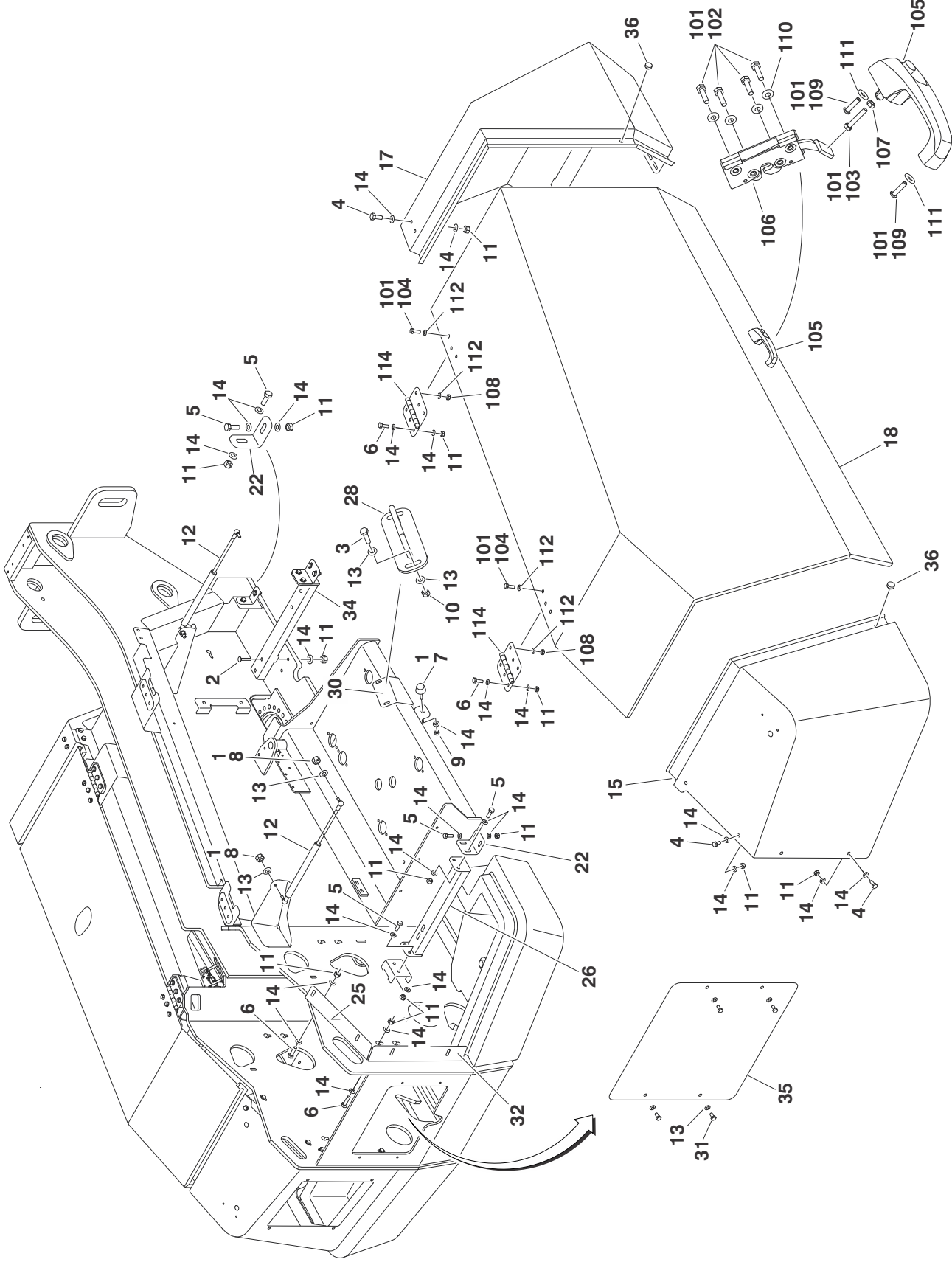
ITEM #	PART NUMBER	QTY.	DESCRIPTION	REV.
	1001134830	Ref	ELECTRICAL PANEL ASSEMBLY	D
1	0140043	1	Alarm, Motion	
2	0700619	5	Bolt M6 x 55mm	
3	0760610	3	Bolt M6 x 20mm	
4	3290605	8	Locknut M6	
5	3740080	1	Relay	
6	4460496	1	Lockwasher, Terminal	
7	4460497	1	Nut, Terminal	
8	1001106736	1	Cap, Dust	
9	1001112612	1	Connector, Electrical	
10	1001120431	1	Module, Ground Control	
11	1001121172	4	Bracket, Mounting	
12	1001134767	1	Panel	
13	4811700	7	Flatwasher M6	

SECTION 2 TURNTABLE

FIGURE 2-12.HOODS INSTALLATION



SECTION 2 TURNTABLE



SECTION 2 TURNTABLE

FIGURE 2-12. HOODS INSTALLATION

ITEM #	PART NUMBER	QTY.	DESCRIPTION	REV.
	1001138040	Ref	HOODS INSTALLATION	E
1	0100011	AR	Compound, Locking	
2	0630563	6	Bolt, Carriage M10 x 60mm	
3	0760814	8	Bolt M8 x 30mm	
4	0761012	12	Bolt M10 x 25mm	
5	0761014	28	Bolt M10 x 30mm	
6	0761015	20	Bolt M10 x 35mm	
7	0940071	2	Bumper	
8	3271501	8	Locknut 5/16in-18NC Grade 8	
9	3271601	2	Locknut 3/8in-16NC Grade 8	
10	3290805	8	Locknut M8	
11	3291005	66	Locknut M10	
12	4160194	4	Spring, Gas	
13	4811900	28	Flatwasher M8	
14	4812000	128	Flatwasher M10	
15	1001134979	1	Engine Side Front Hood	
16	1001134982	1	Tank Side Front Hood	
17	1001138243	1	Engine Side Rear Hood	
18	1001138722	1	Engine Side Center Hood Assembly (See Items 101-114 for Breakdown)	
19	1001138748	1	Tank Side Center Hood Assembly (See Items 101-114 for Breakdown)	
20	1001139180	1	Tank Side Rear Hood	
21	1001139521	6	Bracket	
22	1001139522	2	Bracket	
23	Not Used			
24	1001143683	1	Bracket	
25	1001143684	1	Bracket	
26	1001139528	2	Brace	
27	1001139531	1	Channel	
28	1001139532	2	Plate, Striker	
29	1001139533	1	Bracket	
30	1001139534	1	Bracket	
31	0760808	4	Bolt M8 x 16mm	
32	1001143340	1	Bracket	
33	1001143417	1	Bracket	
34	1001143723	2	Brace	
35	1001143446	1	Cover	
36	1001130651	4	Bumper	
		Ref	CENTER HOOD ASSEMBLIES	
	1001138722	Ref	Engine Side Center Hood Assembly	B
	1001138748	Ref	Tank Side Center Hood Assembly	B
101	0100011	AR	Compound, Locking	
102	0641408	4	Bolt 1/4in-20NC x 1in	
103	0700615	1	Bolt M6 x 35mm	
104	0761014	6	Bolt M6 x 30mm	

SECTION 2 TURNTABLE

FIGURE 2-12. HOODS INSTALLATION (CONTINUED)

ITEM #	PART NUMBER	QTY.	DESCRIPTION	REV.
105	2560187	1	Handle	
106	2940173	1	Latch	
107	8290601	1	Nut M6	
108	8291001	6	Nut M10	
109	3900363	2	Screw M6 x 25mm	
110	4711400	4	Flatwasher 1/4in Thin	
111	4811900	2	Flatwasher M8	
112	4812000	12	Flatwasher M10	
113		1	Hood, Replacement Options:	
	Use 1001138722		Engine Side (was p/n 1001134980)	
	Use 1001138748		Tank Side (was p/n 1001134983)	
114	1001139384	2	Hinge	

SECTION 2 TURNTABLE

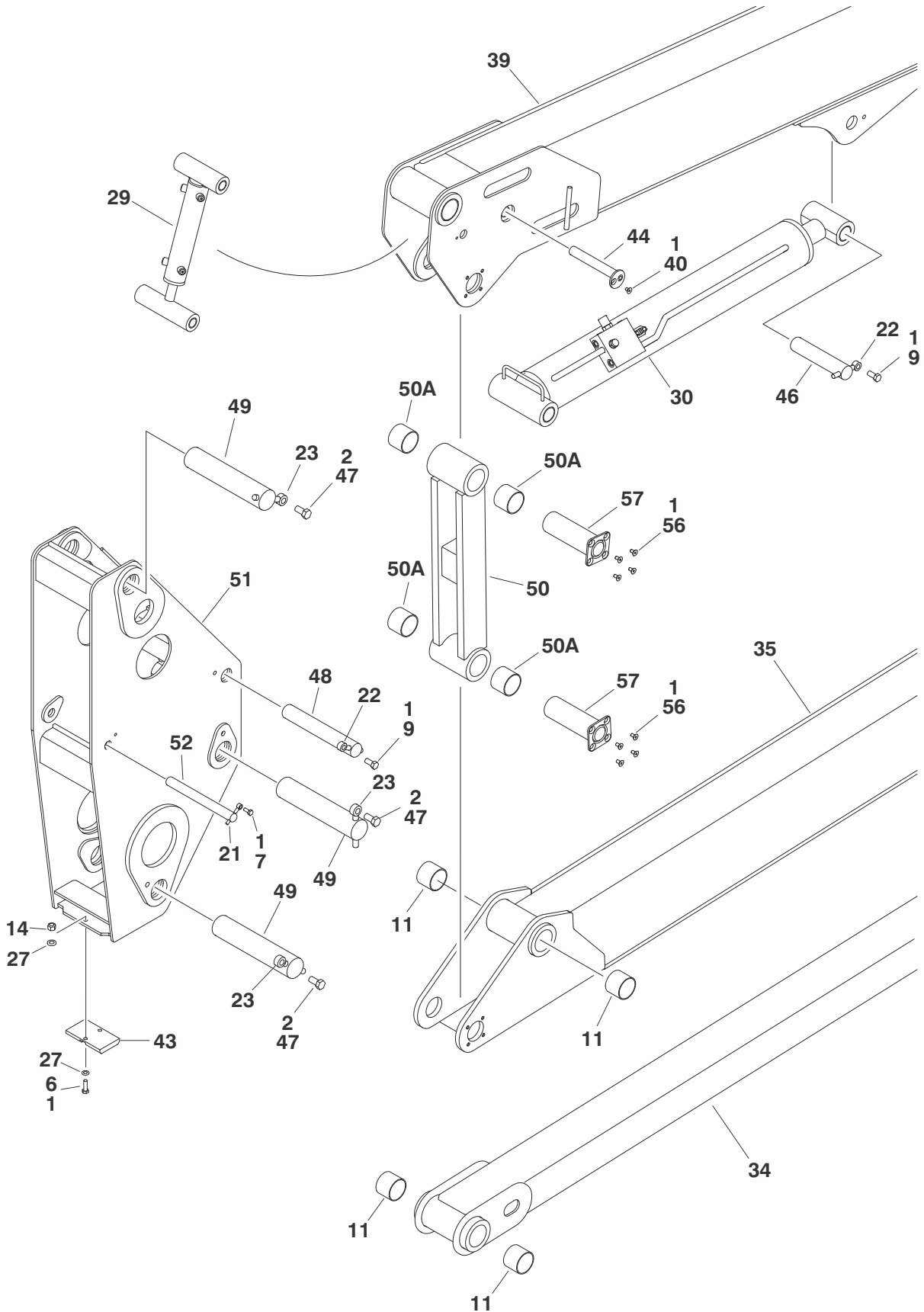
FIGURE 2-12. HOODS INSTALLATION (CONTINUED)

ITEM #	PART NUMBER	QTY.	DESCRIPTION	REV.

SECTION 3 BOOM

SECTION 3 BOOM

FIGURE 3-1. BOOM AND CYLINDERS INSTALLATION



SECTION 3 BOOM

FIGURE 3-1. BOOM AND CYLINDERS INSTALLATION

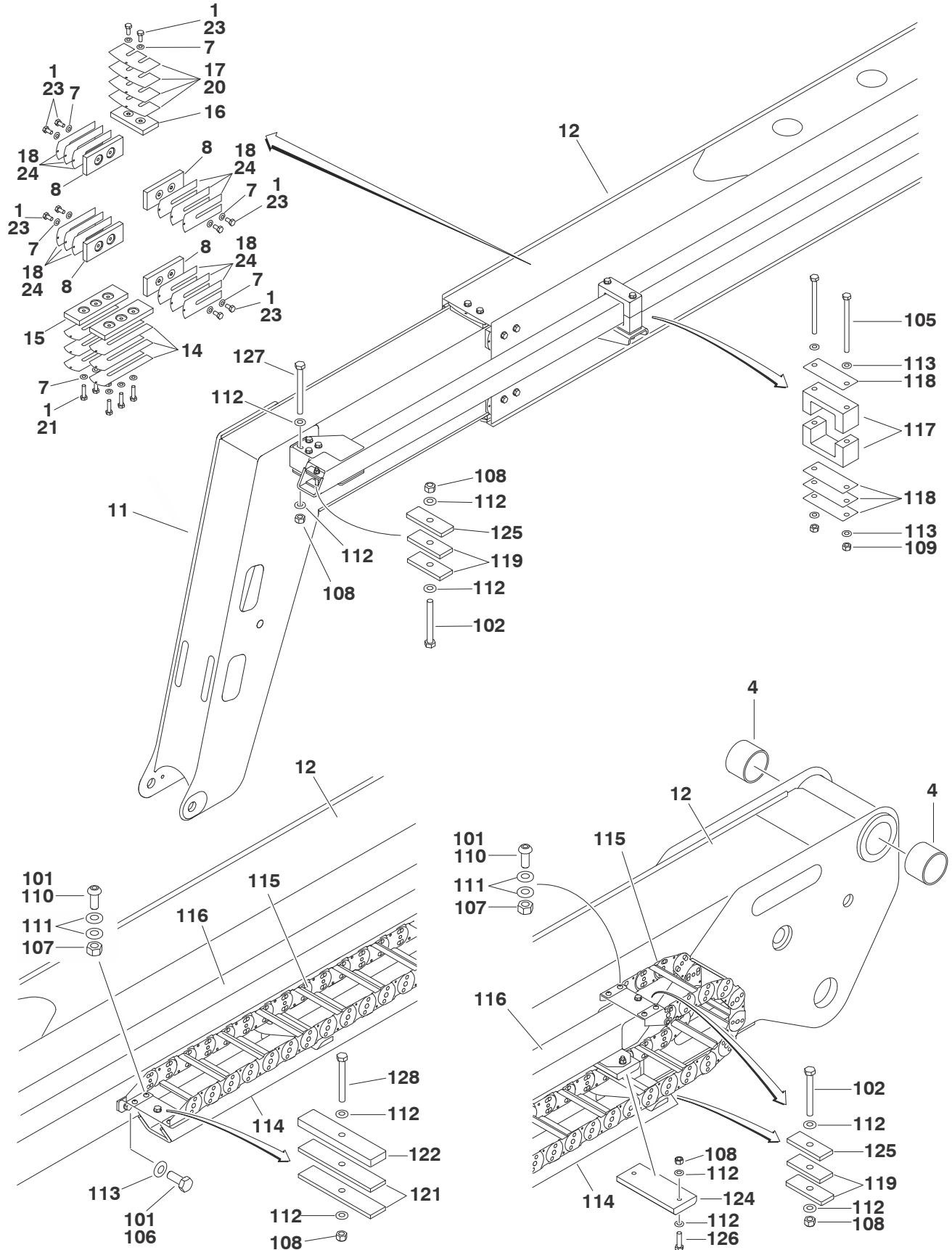
ITEM #	PART NUMBER	QTY.	DESCRIPTION	REV.
	1001134010	Ref	BOOM & CYLINDERS INSTALLATIONS	C
1	0100011	AR	Compound, Locking	
2	0100019	AR	Compound, Locking	
3 to 4	Not Used			
5	0701018	4	Bolt M10 x 50mm	
6	0701216	2	Bolt M12 x 40mm	
7	0761012	1	Bolt M10 x 25mm	
8	0761015	2	Bolt M10 x 35mm	
9	0761615	2	Bolt M16 x 40mm	
10	Not Used			
11	0962297	8	Bushing	
12	Not Used			
13	3291005	2	Locknut M10	
14	3291205	2	Locknut M12	
15	Not Used			
16	3422578	1	Pin	
17	3422582	1	Pin	
18 to 20	Not Used			
21	3841143	3	Keeper, Pin	
22	3841258	2	Keeper, Pin	
23	3841287	5	Keeper, Pin	
24 to 25	Not Used			
26	4812000	4	Flatwasher M10	
27	4812100	4	Flatwasher M12	
28	Not Used			
29	1001130478	1	Master Cylinder Assembly (See CYLINDER SECTION for Breakdown)	
30	1001131748	1	Lift Cylinder Assembly - Main Boom (See CYLINDER SECTION for Breakdown)	
31	1001132163	1	Level (Platform Slave) Cylinder Assembly (See CYLINDER SECTION for Breakdown)	
32	1001132275	1	Platform Rotator Assembly (See PLATFORM ROTATOR ASSEMBLY for Breakdown)	
33	Not Used			
34	1001134172	1	Link, Tower	
35	1001115672	1	Boom, Tower	
36 to 38	Not Used			
39	1001136557	1	Main Boom Assembly (See MAIN BOOM ASSEMBLY for Breakdown)	
40	1001137032	2	Screw, Countersunk M10 x 16mm	
41	Not Used			
42	1001138459	2	Pad, Boom Rest	
43	1001138778	1	Pad	
44	1001138828	1	Pin	
45	Not Used			
46	1001138865	1	Pin	
47	0762016	5	Bolt M20 x 40mm	
48	3422913	1	Pin	
49	3423061	5	Pin	

FIGURE 3-1. BOOM AND CYLINDERS INSTALLATION (CONTINUED)

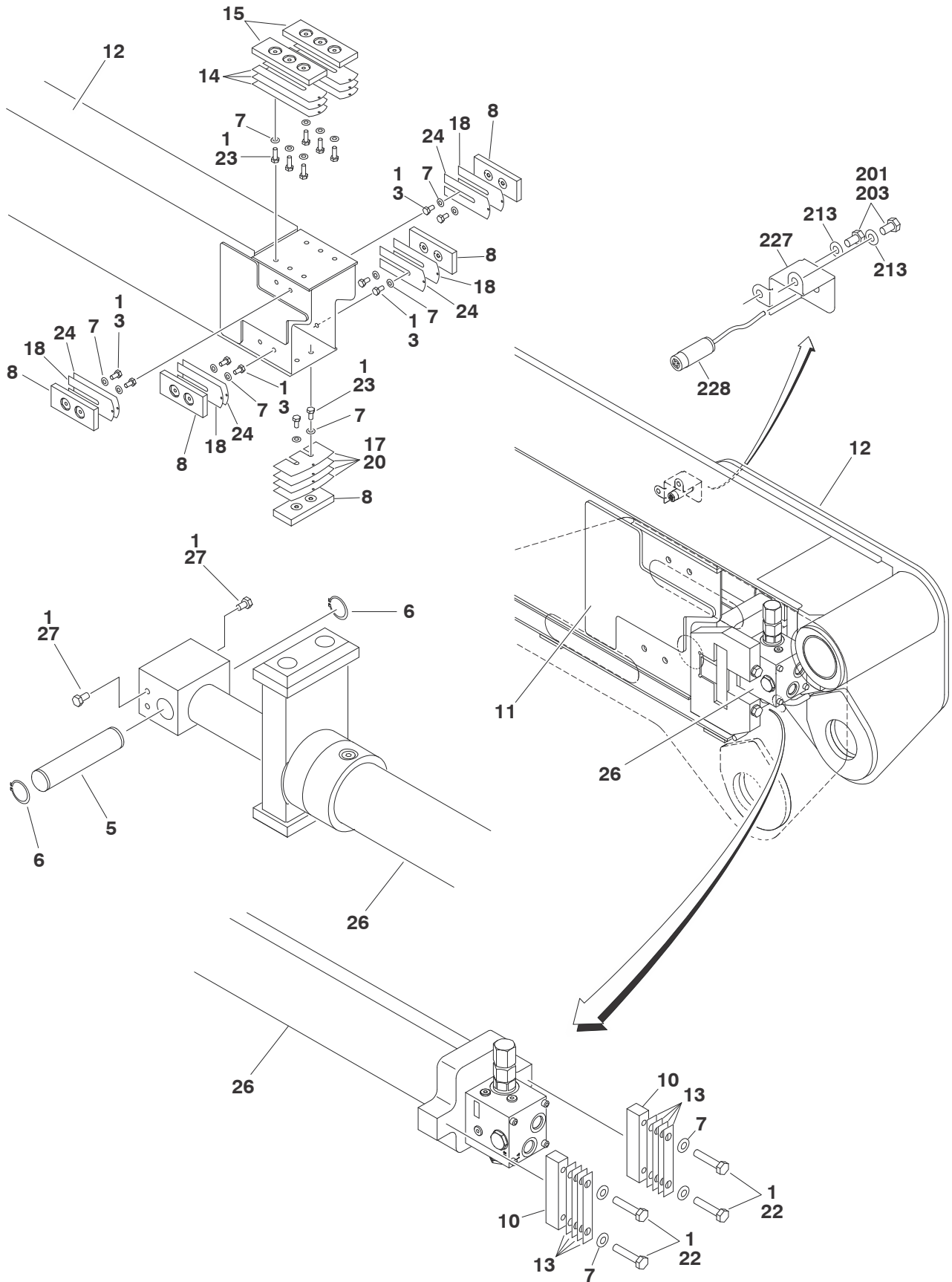
ITEM #	PART NUMBER	QTY.	DESCRIPTION	REV.
50	1001143955	1	Link, Timing	
50A	0962297	4	Bushing	
51	1001145465	1	Upright	
52	1001146299	1	Pin	
53	Not Used			
54	3760115	1	Ring, Retaining	
55	1001148892	1	Pin	
56	1001155441	8	Screw, Countersunk M10 x 20mm Grade 10.9	
57	1001155455	2	Pin	
	1001143680	Ref	CLAMPS INSTALLATIONS	D
101	0100011	AR	Compound, Locking	
102	0761229	1	Bolt M12 x 120mm	
103	3291205	1	Locknut M12	
104	4812100	2	Flatwasher M12	
105	1001153787	1	Bar	
106	1001153788	2	Pad	

SECTION 3 BOOM

FIGURE 3-2. MAIN BOOM ASSEMBLY



SECTION 3 BOOM



SECTION 3 BOOM

FIGURE 3-2. MAIN BOOM ASSEMBLY

ITEM #	PART NUMBER	QTY.	DESCRIPTION	REV.
	1001136557	Ref	MAIN BOOM ASSEMBLY	D
1	0100011	AR	Compound, Locking	
2	Not Used			
3	0761010	8	Bolt M10 x 20mm	
4	0962297	2	Bushing	
5	1001145202	1	Pin	
6	3760133	2	Ring, Retaining	
7	4812000	36	Flatwasher M8	
8	1001153398	8	Pad, Wear	
9	Not Used			
10	1001135488	2	Block, Attaching	
11	1001135697	1	Boom, Fly	
12	1001130688	1	Boom, Base	
13	1001136571	6	Shim	
14	1001136575	4	Shim	
15	1001136583	4	Pad, Wear	
16	1001136587	1	Pad, Wear	
17	1001136590	4	Shim	
18	1001136592	8	Shim	
19	Not Used			
20	1001138436	3	Shim	
21	0701013	6	Bolt M10 x 28mm	
22	0701024	4	Bolt M10 x 80mm	
23	0761011	18	Bolt M10 x 22mm	
24	1001143713	4	Shim	
25	Not Used			
26	1001150646	1	Telescope Cylinder Assembly (See CYLINDER SECTION for Breakdown)	
27	3900259	4	Bolt 1/2in-13NC x 3/4in	
	1001136478	Ref	POWER TRACK ASSEMBLY	D
101	0100011	AR	Compound, Locking	
102	0760823	3	Bolt M8 x 75mm	
103 to 104	Not Used			
105	0761032	2	Bolt M10 x 150mm	
106	0761009	10	Bolt M10 x 18mm	
107	3290605	8	Locknut M6	
108	3290805	10	Locknut M8	
109	3291005	2	Locknut M10	
110	3900364	8	Capscrew M6 x 20mm	
111	4811700	16	Flatwasher M6	
112	4811900	20	Flatwasher M8	
113	4812000	14	Flatwasher M10	
114	1001136223	1	Support	

FIGURE 3-2. MAIN BOOM ASSEMBLY (CONTINUED)

ITEM #	PART NUMBER	QTY.	DESCRIPTION	REV.
115	1001136242	1	Carrier, Power Track	
	70004073	1	Repair Kit (Includes One Repair Section)	
	70004074	1	Bracket Kit (Includes Mounting Feet for both ends & Attaching Hardware)	
116	1001136331	1	Tube, Push	
117	1001136398	2	Pad, Push Tube	
118	1001136400	5	Mount	
119	1001136402	6	Pad	
120	Not Used			
121	1001136407	2	Pad	
122	1001136461	1	Plate	
123	Not Used			
124	1001136469	1	Pad	
125	1001139078	3	Plate	
126	0760814	2	Bolt M8 x 30mm	
127	0700828	4	Bolt M8 x 110mm	
128	0760820	1	Bolt M8 x 60mm	
	1001137908	Ref	PROXIMITY SWITCH INSTALLATION	E
201	0100011	AR	Compound, Locking	
202	Not Used			
203	0760807	2	Bolt M8 x 14mm	
204 to 212	Not Used			
213	4811900	2	Flatwasher M8	
214 to 226	Not Used			
227	1001149922	1	Cover	
228	1001150772	1	Sensor, Proximity	

SECTION 3 BOOM

FIGURE 3-3. PLATFORM ROTATOR ASSEMBLY

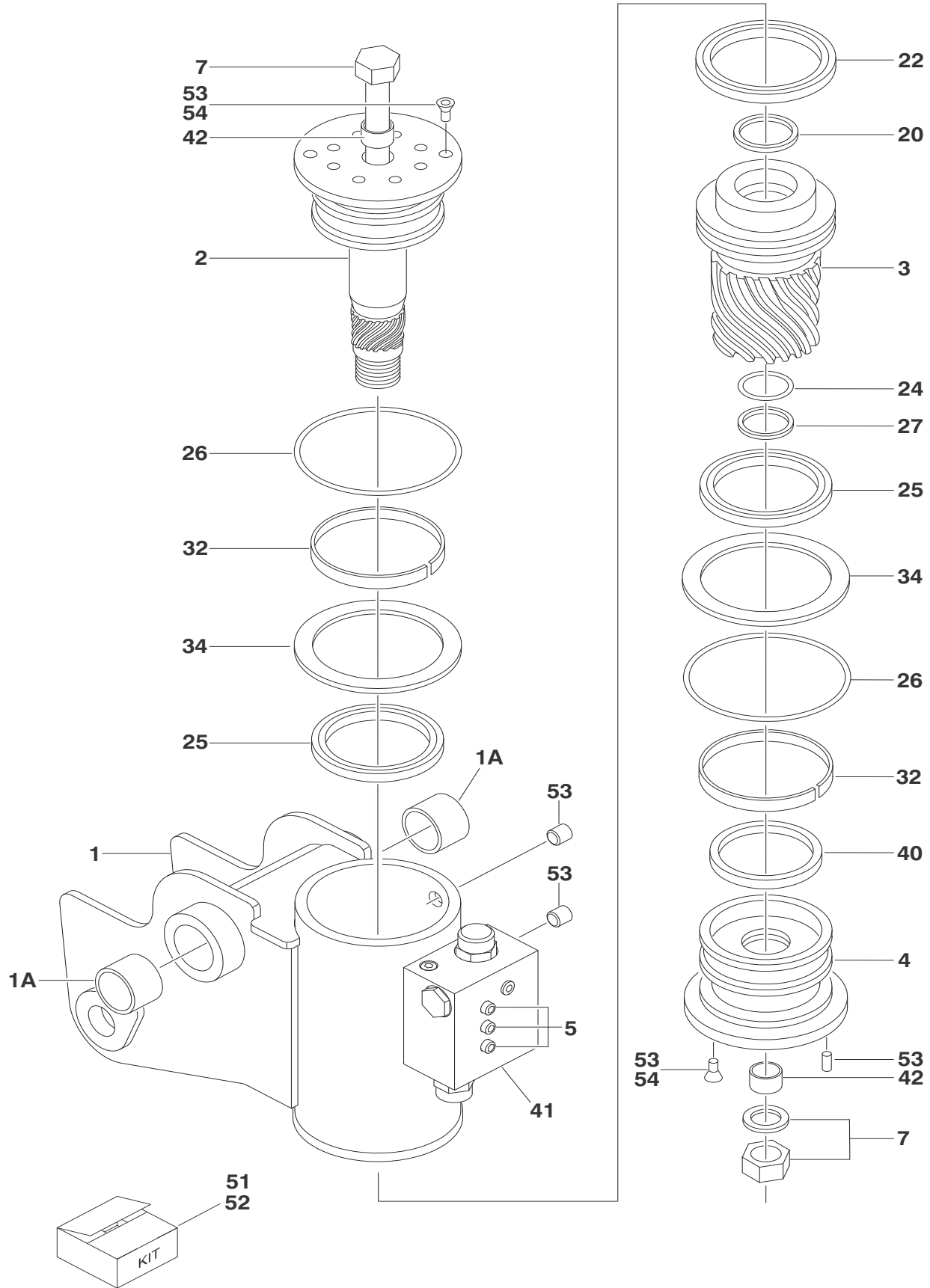


FIGURE 3-3. PLATFORM ROTATOR ASSEMBLY

ITEM #	PART NUMBER	QTY.	DESCRIPTION	REV.
	1001132275	Ref	PLATFORM ROTATOR ASSEMBLY	E
1	See Note	1	Case/Bracket Weldment (Note: Not Available - Purchase Complete Rotator)	
1A	7017147	2	Bearing	
2	70003948	1	Shaft	
3	7017163	1	Piston	
4	7017164	1	Cap, End	
5	See Note	3	Capscrew 1/4in-20NC (Grade 8) (Note: Not Available - Purchase Locally)	
6	Not Used			
7	7017126	1	Tie Rod Assembly	
8 to 19	Not Used			
20	Use 7017158	1	T-Seal, Rod	
21	Not Used			
22	Use 7017158	1	T-Seal , Piston	
23	Not Used			
24	Use 7017158	1	O-Ring	
25	Use 7017158	2	Seal	
26	Use 7017158	2	O-Ring	
27	Use 7017158	1	Ring, Back-Up	
28 to 31	Not Used			
32	Use 7017159	2	Bearing, Shaft	
33	Not Used			
34	Use 7017159	2	Thrustwasher	
35 to 39	Not Used			
40	700003949	1	Spacer, Stop	
41	7017183	1	Counterbalance Valve Assembly	
	7017193	2	Cartridge, Valve (Note: No Seal Kit Available)	
42	7017195	2	Bushing, Shaft	
43 to 50	Not Used			
51	7017159	1	Bearing Kit (Includes Items 32 & 34):	
52	7017158	1	Seal Kit Options (Includes Items 20,22,24,25,26 & 27): Standard	
	70000341		Cold Climate	
53	7017142	1	Hardware Kit (Includes Plugs, Dowel Pin & Item 54)	
54	70001697	4	Screw, Countersunk 1/4in-20NC x 3/8in (Grade 8)	

SECTION 3 BOOM

FIGURE 3-4. PLATFORM SUPPORT INSTALLATION

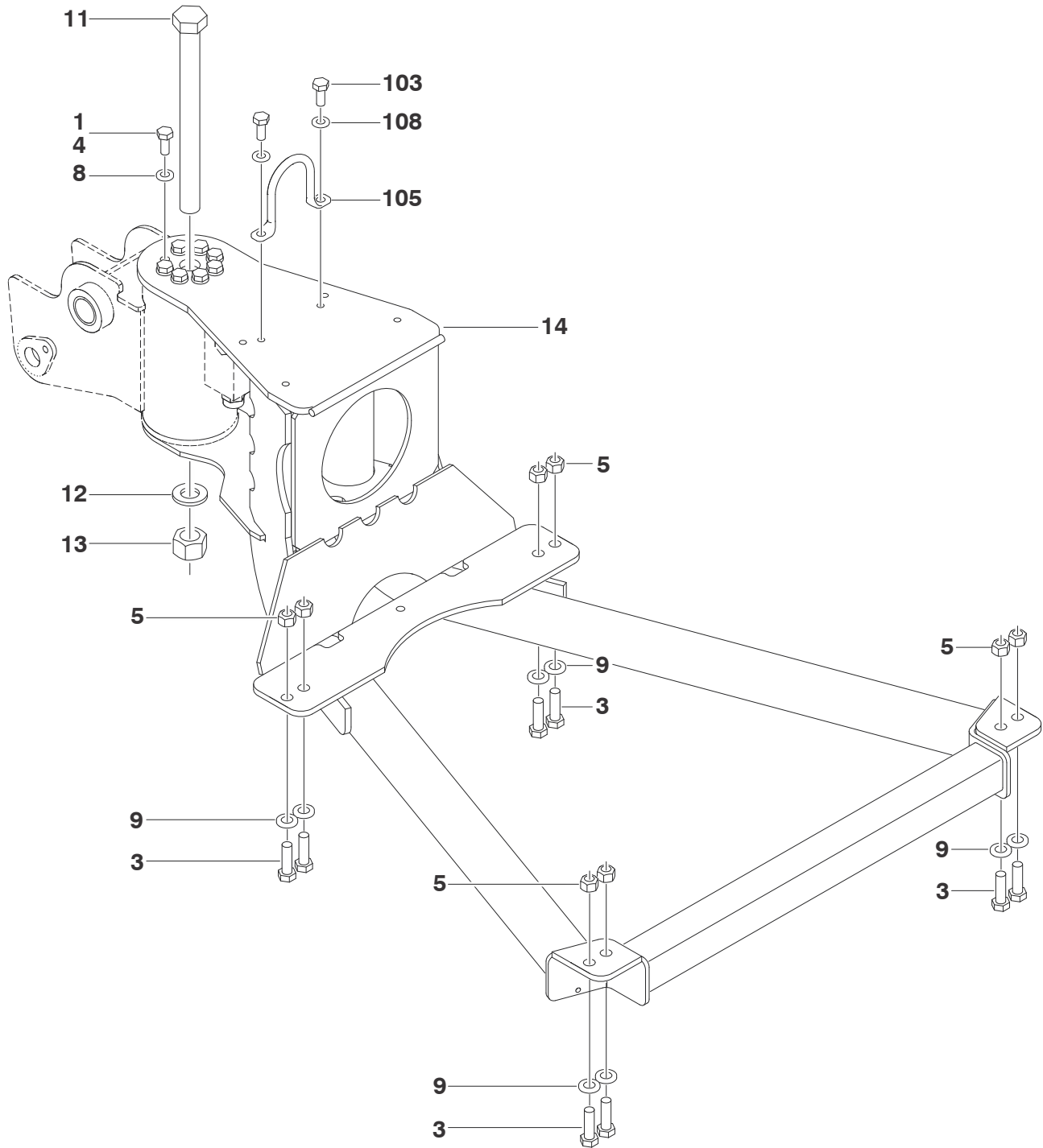


FIGURE 3-4. PLATFORM SUPPORT INSTALLATION

ITEM #	PART NUMBER	QTY.	DESCRIPTION	REV.
		Ref	PLATFORM SUPPORT INSTALLATION	
	1001139032	Ref	Machines without LSS	D
	See Note	Ref	Machines with LSS (Note: Refer to JLG Supplement p/n 3124287 for Components)	
1	0100011	AR	Compound, Locking	
2	Not Used			
3	0761216	8	Bolt M12 x 40mm	
4	0771012	8	Bolt M10 x 25mm Grade 10.9	
5	3291205	8	Locknut M12	
6 to 7	Not Used			
8	5241000	8	Flatwasher M10 Hardened	
9	5241200	8	Flatwasher M12 Hardened	
10	Not Used			
11	0712444	1	Bolt M24 x 270mm Grade 10.9	
12	5242400	1	Flatwasher M24 Hardened	
13	1001098827	1	Locknut M24 Grade 10.9	
14		1	Support Options:	
	1001149734		Machines without LSS	
	See Note		Machines with LSS (Note: Refer to JLG Supplement p/n 3124287 for Components)	
		Ref	CLAMP INSTALLATION	
	1001144445	Ref	Machines without SkyPower	D
	1001142574	Ref	Machines with SkyPower	D
101 to 102	Not Used			
103	0761012	2	Bolt M10 x 25mm	
104	Not Used			
105	3841340	1	Loop, Hose	
106 to 107	Not Used			
108	4812000	2	Flatwasher M10	

SECTION 3 BOOM

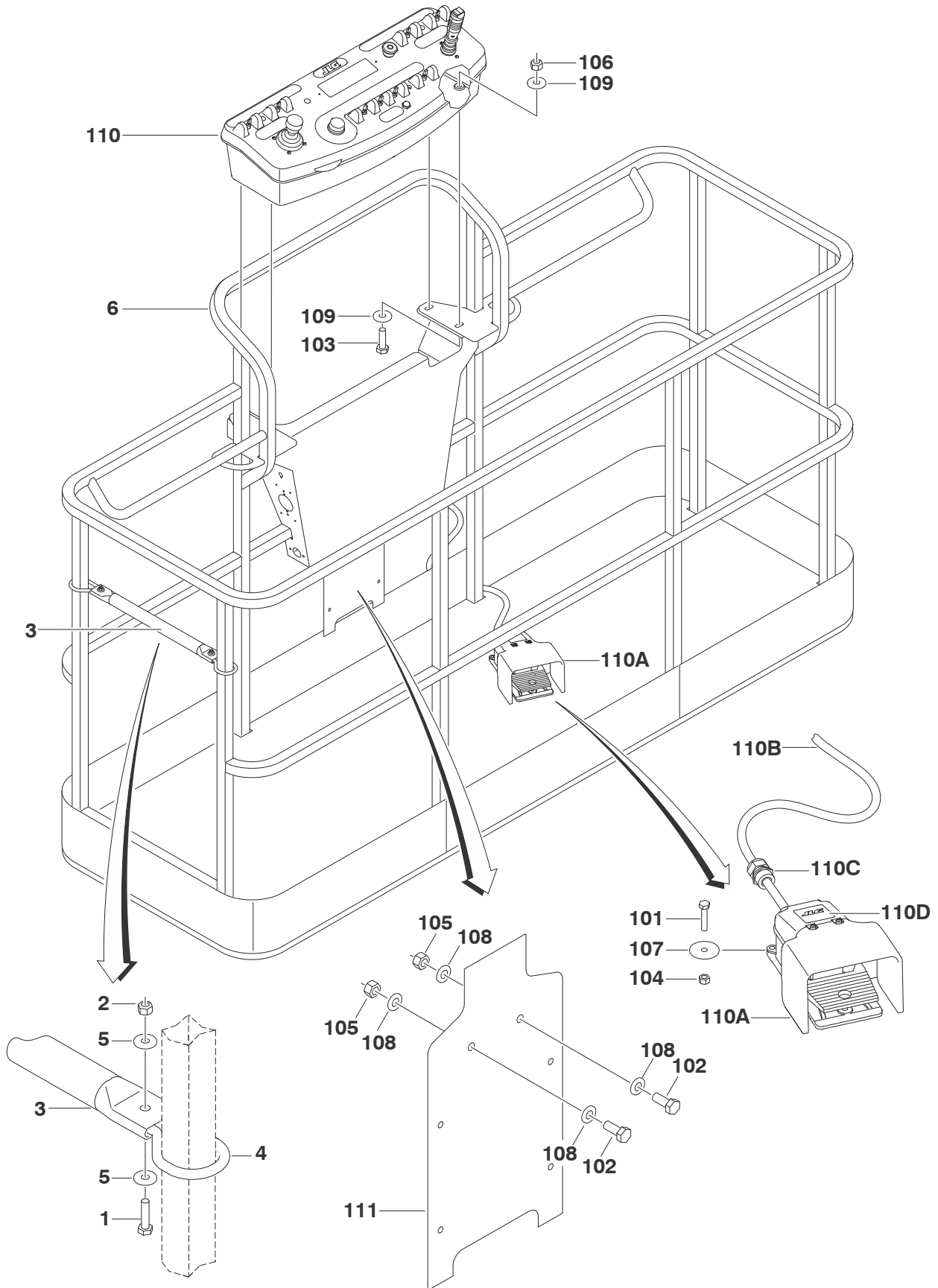
FIGURE 3-4. PLATFORM SUPPORT INSTALLATION (CONTINUED)

ITEM #	PART NUMBER	QTY.	DESCRIPTION	REV.

SECTION 4 PLATFORM

SECTION 4 PLATFORM

FIGURE 4-1. PLATFORM ASSEMBLY



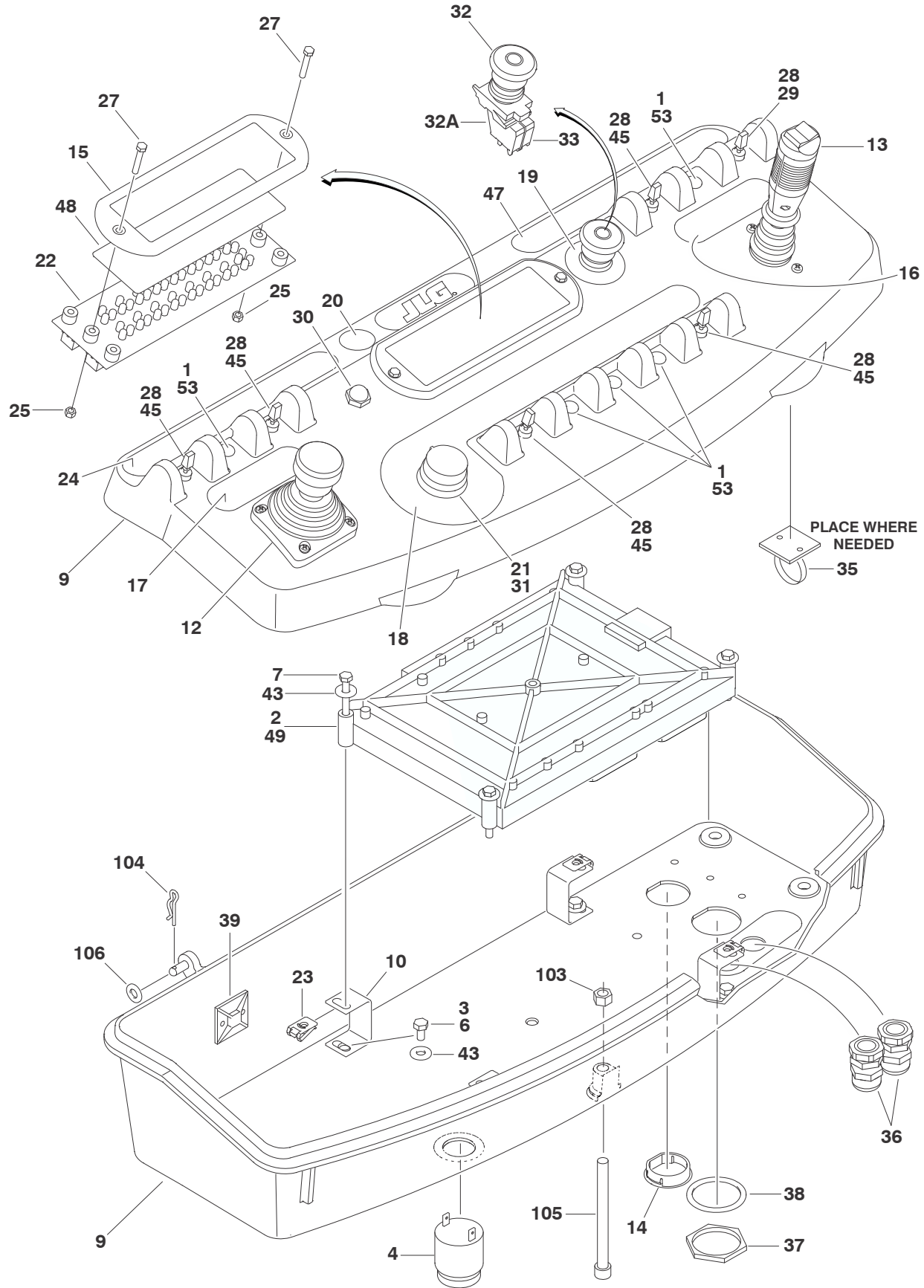
SECTION 4 PLATFORM

FIGURE 4-1. PLATFORM ASSEMBLY

ITEM #	PART NUMBER	QTY.	DESCRIPTION	REV.
	1001134293	Ref	PLATFORM ASSEMBLY	C
		Ref	Note: Replacement Decals Must Be Ordered Separately - See DECAL SECTION.	
1	0760612	2	Bolt M6 x 25mm	
2	3290605	2	Locknut M6	
3	3641585	1	Rail	
4	3841692	2	Loop, Rod	
5	4811702	4	Flatwasher M6	
6	See Note	1	Platform Weldment (Note: Purchase Platform Assembly)	
	1001133423	Ref	PLATFORM CONSOLE AND FOOTSWITCH INSTALLATION	B
101	0760614	3	Bolt M6 x 30mm	
102	0760810	2	Bolt M8 x 20mm	
103	0761015	4	Bolt M10 x 35mm	
104	3290605	3	Locknut M6	
105	3290805	2	Locknut M8	
106	3291005	4	Locknut M10	
107	4740362	3	Washer, Fender 1/4in	
108	4811900	4	Flatwasher M8	
109	4812002	8	Flatwasher M10	
110	1001133602	1	Console Box Assembly (See PLATFORM COMSOLE ASSEMBLY for Breakdown)	
110A	0272970	1	Footswitch Assembly	B
	1001117320	1	Footswitch	
	70003483	1	Block, Contact	
110B	1060918	7ft/2.2m	Cable, Electrical - 18/3	
110C	4460071	1	Connector, Strain Relief	
110D	3252347	1	Nameplate (Note: See DECAL SECTION for Other Languages)	
111	1001145439	1	Panel, Pedestal	

SECTION 4 PLATFORM

FIGURE 4-2. PLATFORM CONSOLE ASSEMBLY



SECTION 4 PLATFORM

FIGURE 4-2. PLATFORM CONSOLE ASSEMBLY

ITEM #	PART NUMBER	QTY.	DESCRIPTION	REV.
	1001133602	Ref	PLATFORM CONSOLE ASSEMBLY	C
1	0100009	AR	Sealant	
2	0100048	AR	Grease, Dielectric	
3	0100081	AR	Adhesive	
4	0140011	1	Alarm	
5	Not Used			
6	0641404	4	Bolt 1/4in-20NC x 1/2in	
7	0700617	4	Bolt M6 x 45mm	
8	Not Used			
9	0861441	1	Box, Console (See Items 101-106 for Breakdown)	
10	0902571	4	Bracket, Support	
11	Not Used			
12	Use 1001129555	1	Controller Assembly (Lift & Swing) (See CONTROLLER ASSEMBLY (LIFT & SWING) for Breakdown) (was p/n 1001118417)	
13	1001118416	1	Controller Assembly (Drive & Steer) (See CONTROLLER ASSEMBLY (DRIVE & STEER) for Breakdown)	
14	1001110434	1	Plug, Hole	
15	1671176	1	Bezel	
16	1702565	1	Decal (Drive and Steer)	
17	1702566	1	Decal (Lift and Swing)	
18	1702567	1	Decal (Function Speed)	
19	1704260	1	Decal (EMS)	
20	1705132	1	Decal (ADE)	
21	2560136	1	Handle, Knob	
22	2920154	1	Panel, LED Light	
23	8305919	4	Nut, Retainer M6	
24	1702676	1	Decal (Horn)	
25	3311005	2	Locknut #10-24NC	
26	Not Used			
27	3911018	2	Bolt #10-24NC x 1-1/8in	
28	4360328	5	Switch, Toggle	
29	4360330	1	Switch, Toggle	
30	4360387	1	Switch, Pushbutton	
31	4360407	1	Controller, Speed	
	See Note	1	Gasket "Top Hat" (Included with Switch) (Note: Not Available - Purchase Complete Controller.)	
	70003784	1	Seal	
32	4360475	1	Switch, Emergency Stop	
	7020175	1	Cap, Red	
32A	7020176	1	Contact Block	
33	4360476	1	Block, Contact	
34	Not Used			
35	4460234	3	Base, Mounting	
36	4460428	2	Connector, Strain Relief	
37	4460470	1	Nut, Terminal	
38	4460471	1	Lockwasher, Terminal	
39	4460488	1	Base, Mounting	
40	Not Used			

SECTION 4 PLATFORM

FIGURE 4-2. PLATFORM CONSOLE ASSEMBLY (CONTINUED)

ITEM #	PART NUMBER	QTY.	DESCRIPTION	REV.
41	4460905	5	Seal, Plug (Not Shown)	
42	Not Used			
43	4751400	8	Flatwasher 1/4in Wide	
44	Not Used			
45	3790012	8	O-Ring	
46	4360331	1	Switch, Toggle	
47	1001131168	1	Decal (Stop)	
48	1001107952	1	Decal (Display)	
49	1001118412	1	Controller, Module (Re-calibration Required when Replaced)	
50 to 51	Not Used			
52	4460708	1	Receptacle, Female 15 Position (Not Shown)	
53	3520054	5	Plug, Hole	
	0861441	Ref	CONSOLE BOX ASSEMBLY	F
101 to 102	Not Used			
103	3311601	1	Nut 3/8in-16NC	
104	3470003	2	Pin, Cotter	
105	0630568	1	Screw 3/8in-16NC x 4-1/2in	
106	4711500	2	Flatwasher 5/16in	

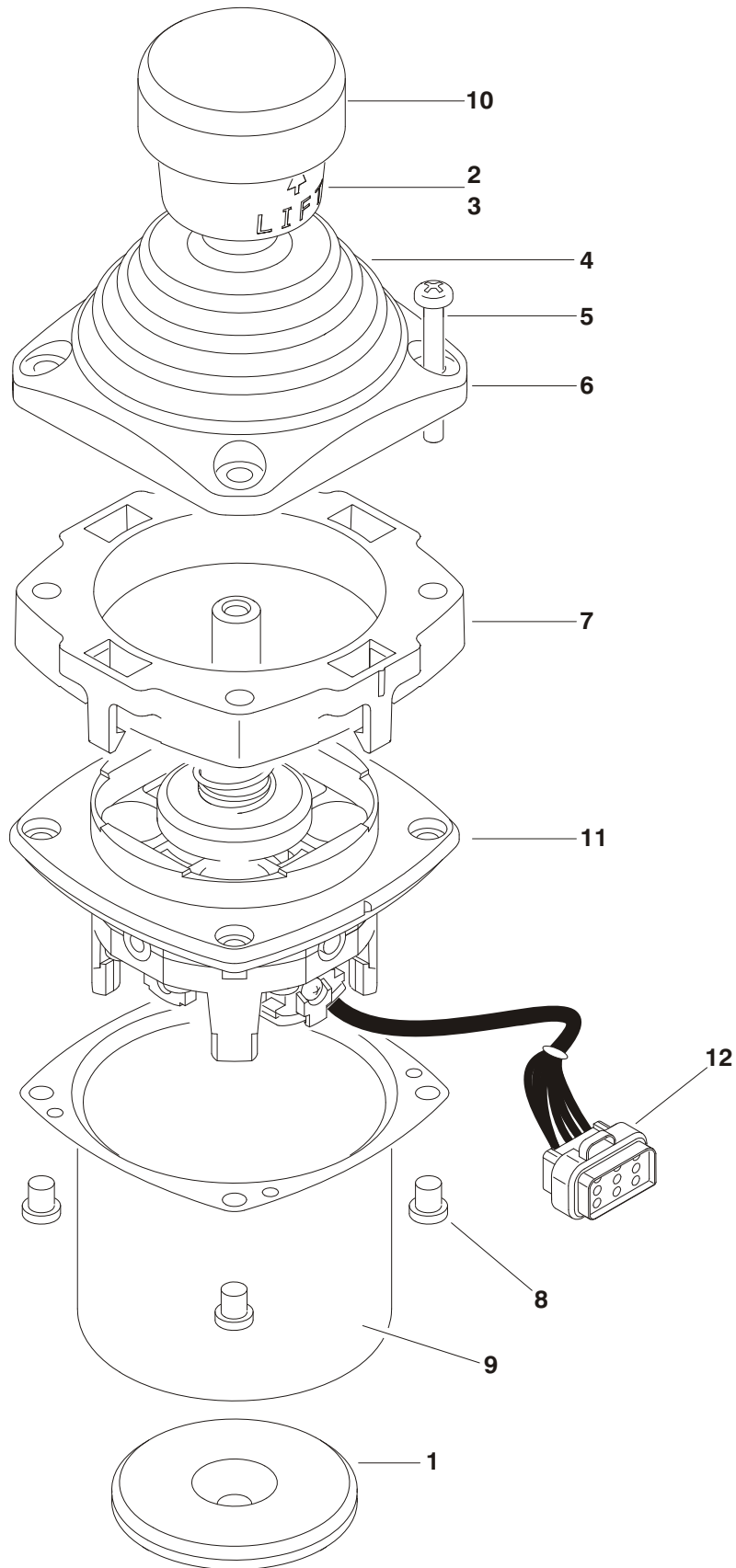
SECTION 4 PLATFORM

FIGURE 4-2. PLATFORM CONSOLE ASSEMBLY (CONTINUED)

ITEM #	PART NUMBER	QTY.	DESCRIPTION	REV.

SECTION 4 PLATFORM

FIGURE 4-3. CONTROLLER ASSEMBLY (LIFT AND SWING)



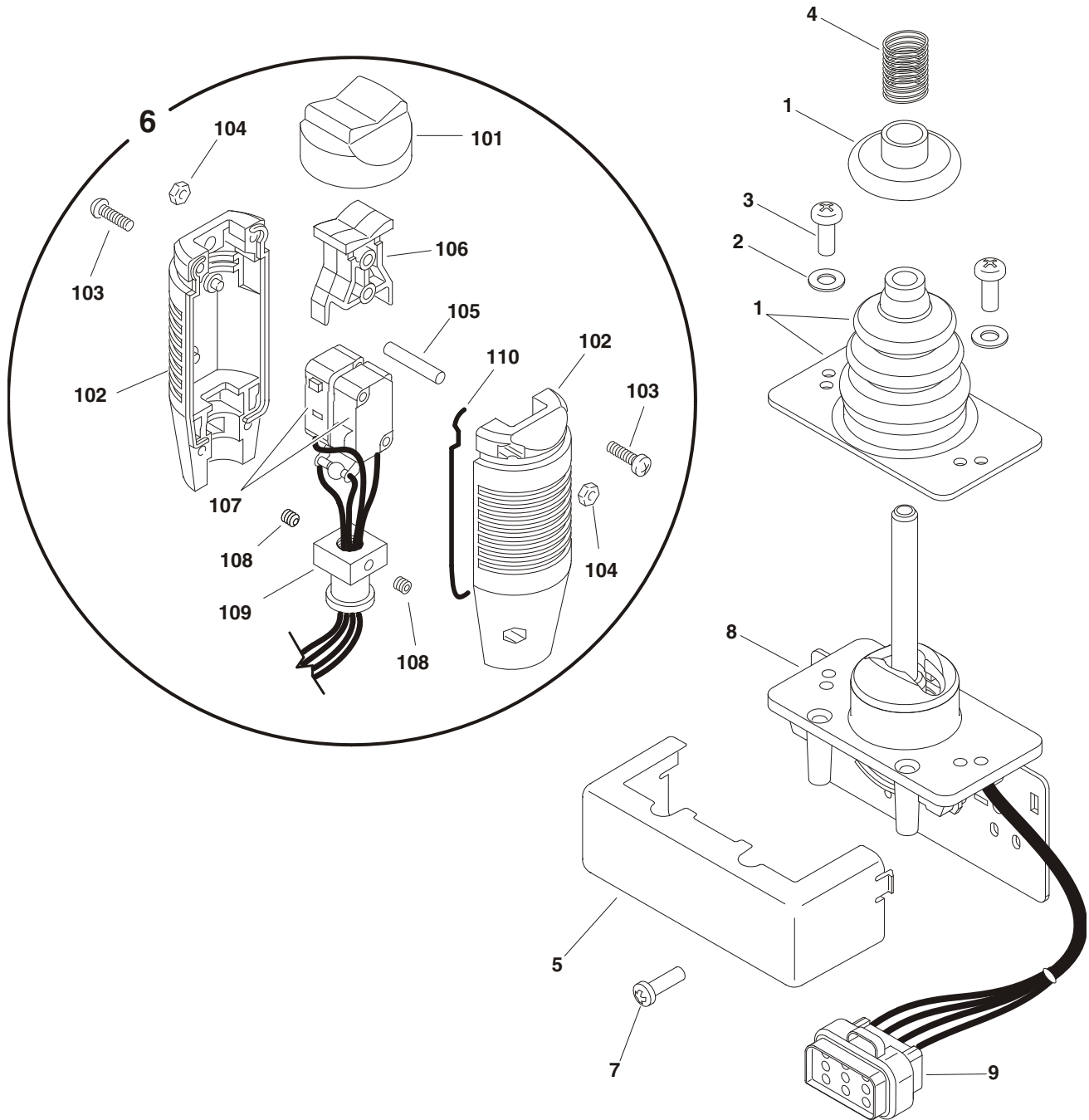
SECTION 4 PLATFORM

FIGURE 4-3. CONTROLLER ASSEMBLY (LIFT AND SWING)

ITEM #	PART NUMBER	QTY.	DESCRIPTION	REV.
	Use 1001129555	Ref Ref	CONTROLLER ASSEMBLY Note: Was p/n 1001118417 Assembly - Use p/n 1001129555 kit as replacement.	A
1	70002730	1	Gasket	
2	7003928	1	Spring	
3	7022808	1	Cap, Lift	
4	70002731	1	Boot	
5	70002732	4	Screw	
6	7022815	1	Bezel	
7	70002733	1	Adapter	
8	70002734	4	Screw	
9	70002735	1	Can, Enclosure	
10	70002906	1	Cap	
11	Use 1001129555	1	Mechanical Assembly (Note: Not Available for Purchase)	
12	7022819	1	Plug, Male 8 Position (Natural) (Not Shown)	
	4460871	6	Socket, Female	

SECTION 4 PLATFORM

FIGURE 4-4. CONTROLLER ASSEMBLY (DRIVE AND STEER)



SECTION 4 PLATFORM

FIGURE 4-4. CONTROLLER ASSEMBLY (DRIVE AND STEER)

ITEM #	PART NUMBER	QTY.	DESCRIPTION	REV.
	1001118416	Ref	CONTROLLER ASSEMBLY	A
1	70002724	1	Boot & Control Lock Assembly	
2	7003941	2	Washer	
3	70002725	2	Screw	
4	7019162	1	Spring	
5	70002726	1	Enclosure	
6	70002727	1	Handle Assembly (See Items 101-110 for Breakdown)	
7	70002728	1	Screw	
8	Use 1001118416	1	Mechanical Assembly (Note: Not Available for Purchase)	
9	Use 1001113961	1	Plug, Male - 8 Position (Black) (was p/n 7022825)	
	4460871	7	Socket, Female	
	70002727	Ref	HANDLE ASSEMBLY	
101	7003972	1	Boot, Switch	
102	7003973	2	Half, Handle	
103	7003980	4	Screw	
104	7019167	4	Nut	
105	7019164	1	Axle	
106	7019165	1	Rocker	
107	70002729	1	Wiring Assembly	
	7003982	2	Switch, Micro	
108	7003983	2	Setscrew	
109	7019194	1	Coupling	
110	7003989	2	Gasket	

SECTION 4 PLATFORM

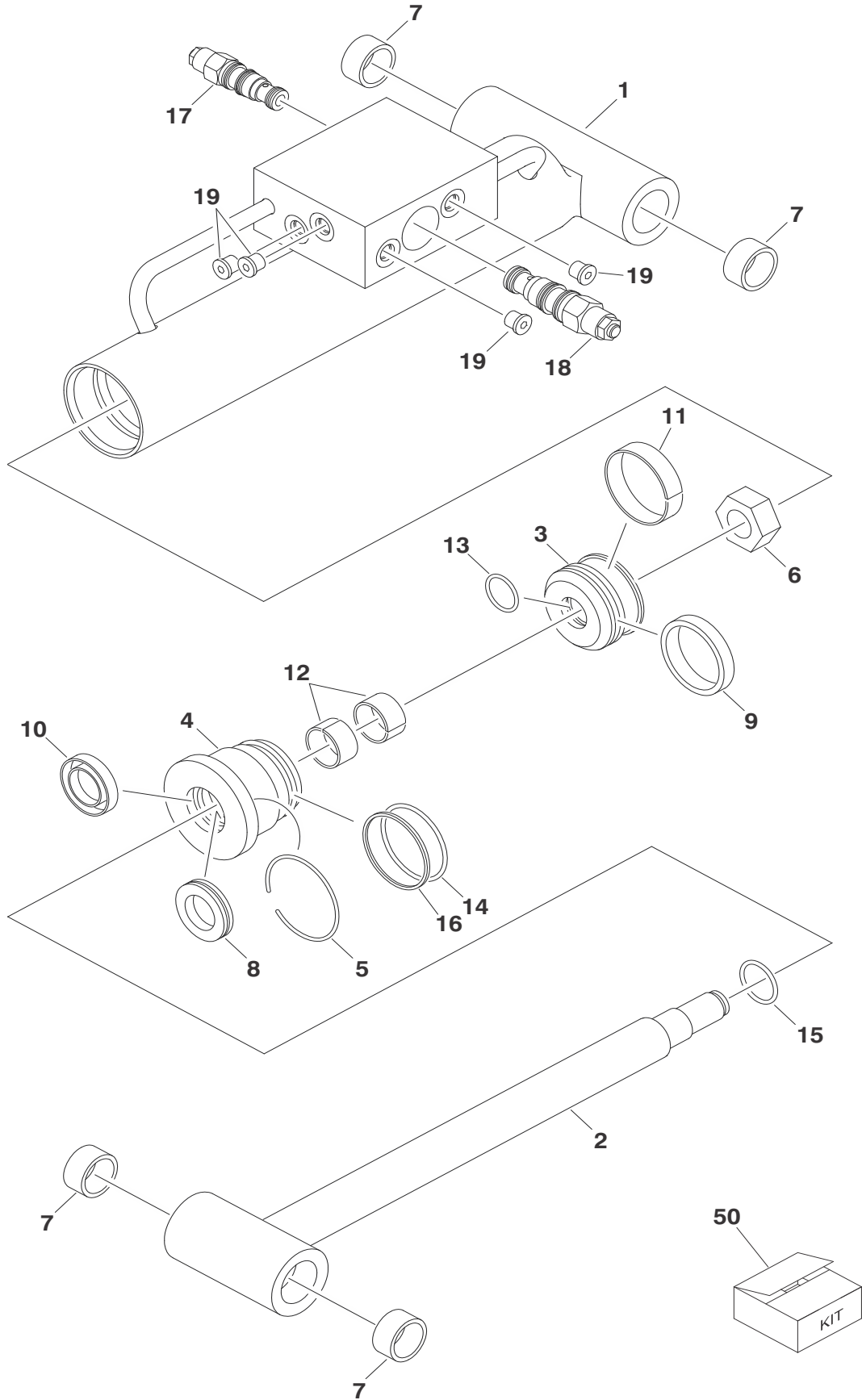
FIGURE 4-4. CONTROLLER ASSEMBLY (DRIVE AND STEER) (CONTINUED)

ITEM #	PART NUMBER	QTY.	DESCRIPTION	REV.

SECTION 5 CYLINDER

SECTION 5 CYLINDER

FIGURE 5-1. LEVEL (PLATFORM SLAVE) CYLINDER ASSEMBLY



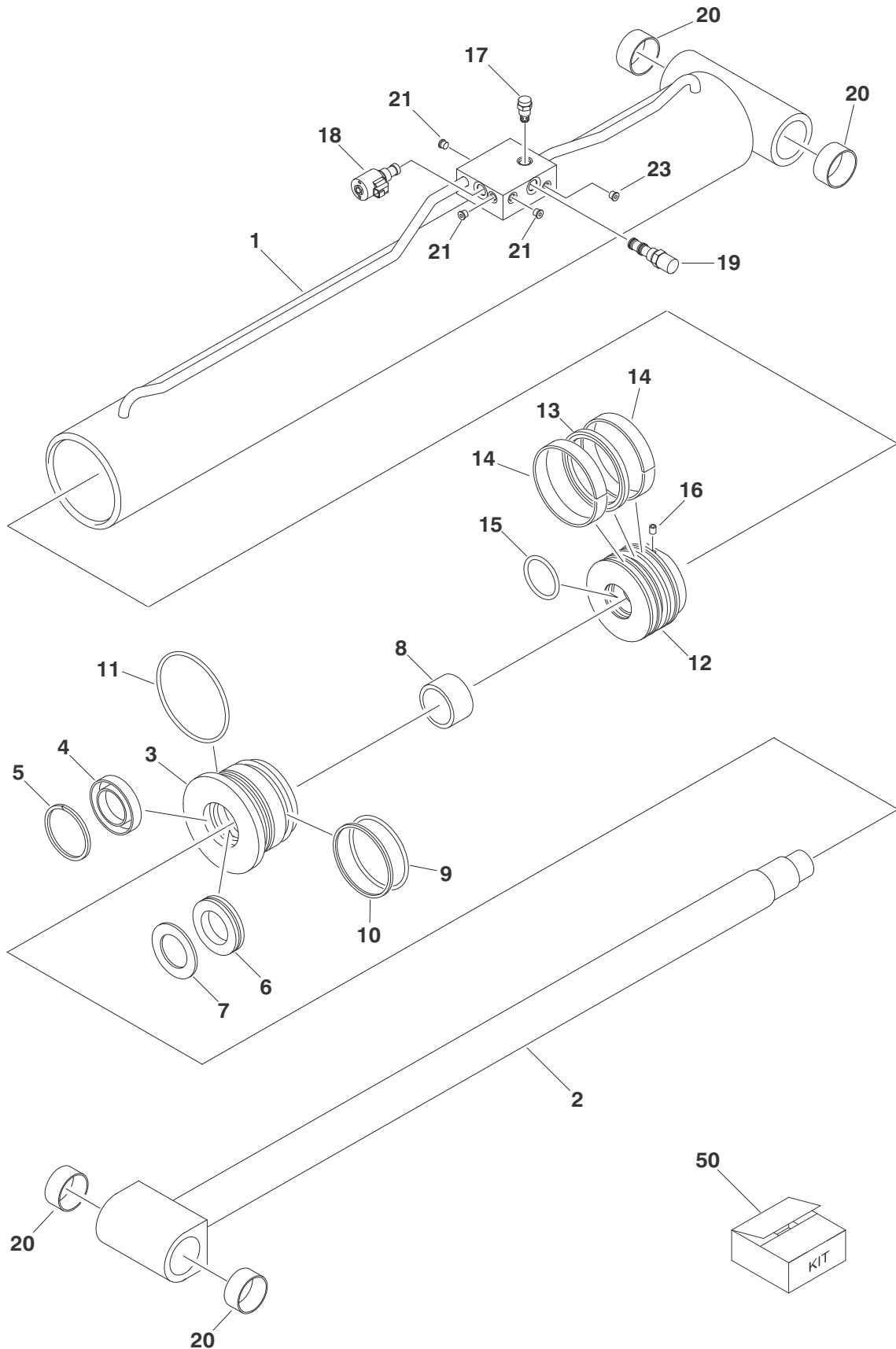
SECTION 5 CYLINDER

FIGURE 5-1. LEVEL (PLATFORM SLAVE) CYLINDER ASSEMBLY

ITEM #	PART NUMBER	QTY.	DESCRIPTION	REV.
	1001132163	Ref	LEVEL CYLINDER ASSEMBLY	B
1	70004217	1	Barrel	
2	70004218	1	Rod	
3	70004212	1	Piston	
4	70004210	1	Head	
5	70004214	1	Lock Wire	
6	70004213	1	Locknut	
7	70004219	4	Bearing	
8	Use 70004216	1	Seal, Rod	
9	Use 70004216	1	Seal, Piston	
10	Use 70004216	1	Wiper	
11	Use 70004216	1	Ring, Wear	
12	Use 70004216	2	Ring, Wear	
13	Use 70004216	1	O-Ring	
14	Use 70004216	1	O-Ring	
15	70004215	1	O-Ring	
16	Use 70004216	1	Ring, Back-up	
17	70002413	1	Cartridge, Valve	
	2900770	1	Seal Kit - Valve	
18	70002388	1	Cartridge, Valve	
	2900770	1	Seal Kit - Valve	
19	See Note	4	Plug (Note: Not Available - Purchase Locally)	
20 to 49	Not Used			
50	Use 70004216	1	Seal Kit (Includes Items 8-16)	

SECTION 5 CYLINDER

FIGURE 5-2. LIFT CYLINDER ASSEMBLY



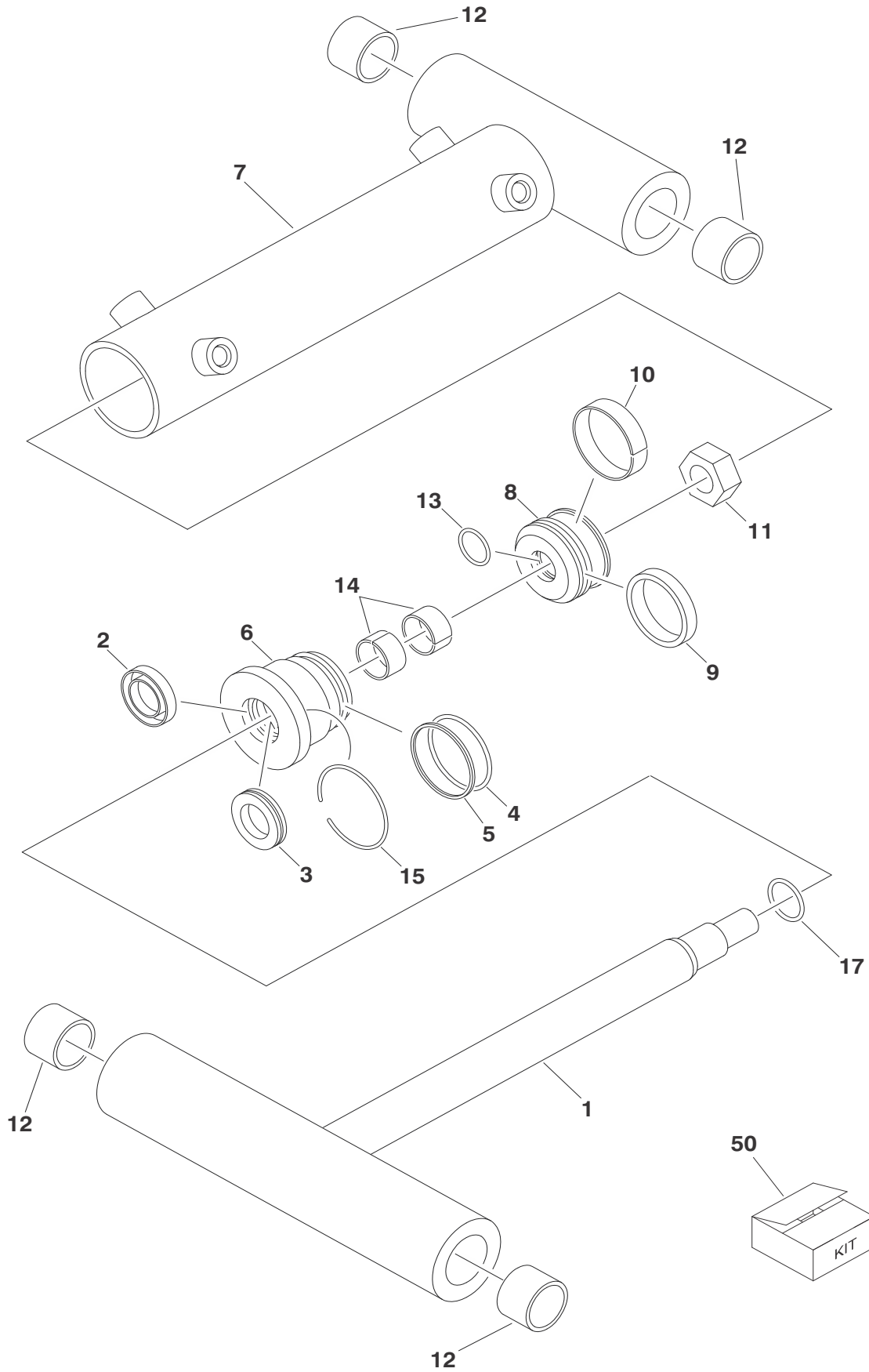
SECTION 5 CYLINDER

FIGURE 5-2. LIFT CYLINDER ASSEMBLY

ITEM #	PART NUMBER	QTY.	DESCRIPTION	REV.
	1001130480	Ref	LIFT CYLINDER ASSEMBLY	B
1	70004192	1	Barrel	
2	70004191	1	Rod	
3	70004190	1	Head	
4	Use 70004187	1	Wiper	
5	70023379	1	Ring, Retaining	
6	Use 70004187	1	Seal, Rod	
7	Use 70004187	1	Ring, Back-up	
8	70023377	4	Bearing	
9	Use 70004187	1	O-Ring	
10	Use 70004187	1	Ring, Back-up	
11	Use 70004187	1	O-Ring	
12	70004189	1	Piston	
13	Use 70004187	1	Seal, Piston	
14	Use 70004187	2	Ring, Wear	
15	Use 70004187	2	O-Ring	
16	See Note	1	Setscrew (Note: Not Available - Purchase Locally)	
17	4641390	1	Cartridge, Check Valve	
	7017496	1	Seal Kit - Valve	
18	70002401	1	Cartridge, Solenoid Valve	
	7022390	1	Seal Kit - Valve	
	70003788	1	Coil	
19	70004123	1	Cartridge, Pressure Valve	
	7012925	1	Seal Kit - Valve	
20	70004188	4	Bearing	
21	2220885	4	Plug 9/16in	
22 to 49	Not Used			
50	Use 70004187	1	Seal Kit (Includes Items 4, 6, 7, 9-11 & 13-15)	

SECTION 5 CYLINDER

FIGURE 5-3. MASTER CYLINDER ASSEMBLY



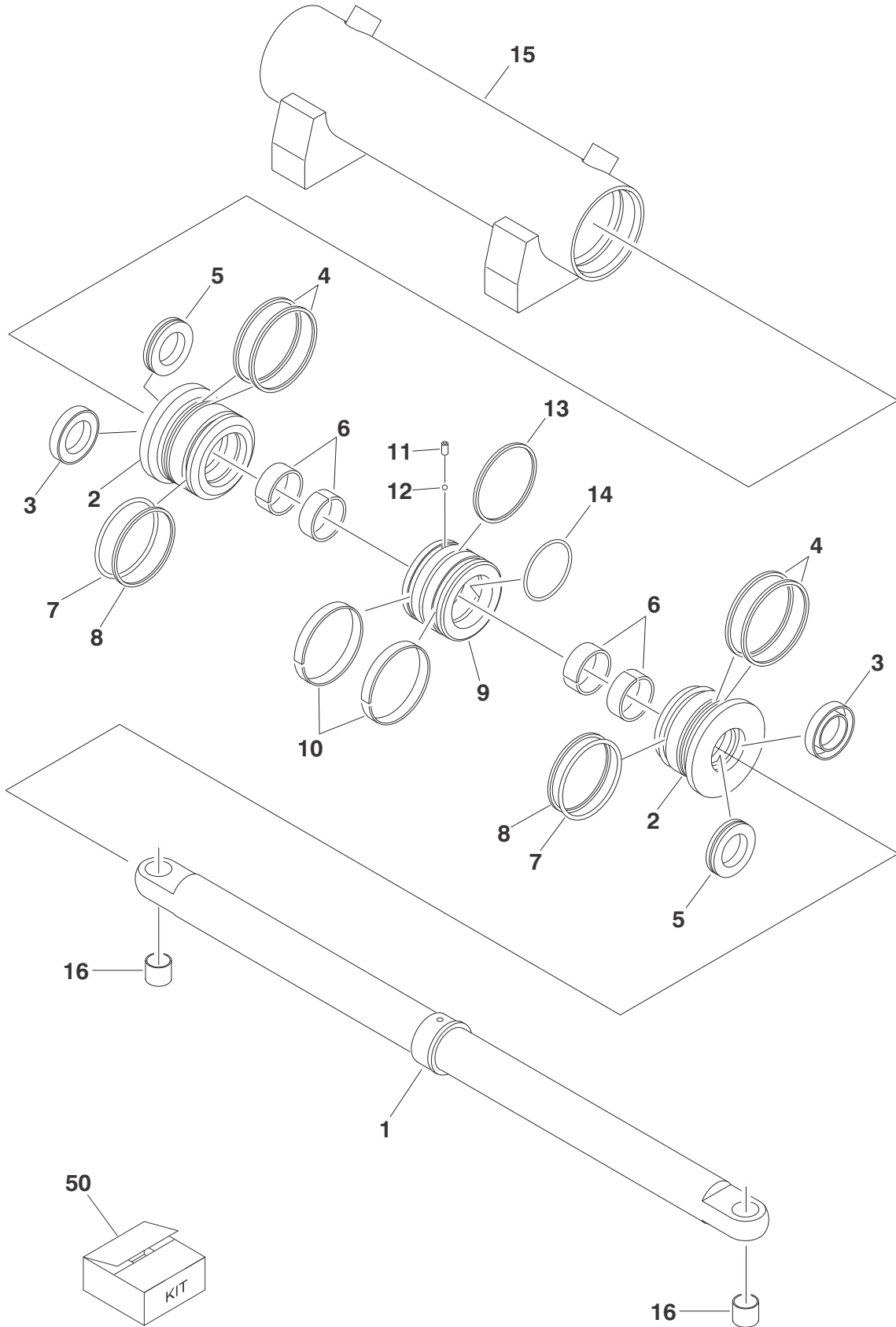
SECTION 5 CYLINDER

FIGURE 5-3. MASTER CYLINDER ASSEMBLY

ITEM #	PART NUMBER	QTY.	DESCRIPTION	REV.
	1001130478	Ref	MASTER CYLINDER ASSEMBLY	D
1	70004247	1	Rod	
2	Use 70004248	1	Wiper	
3	Use 70004248	1	Seal, Rod	
4	Use 70004248	1	O-Ring	
5	Use 70004248	1	Ring, Back-up	
6	70004210	1	Head	
7	70004246	1	Barrel	
8	70004212	1	Piston	
9	Use 70004248	1	Seal, Piston	
10	Use 70004248	1	Ring, Wear	
11	70004213	1	Locknut	
12	0961951	4	Bearing	
13	Use 70004248	1	O-Ring	
14	Use 70004248	2	Ring, Wear	
15	70004214	1	Lock Wire	
16	Not Used			
17	70004215	1	O-Ring	
18 to 49	Not Used			
50	70004248	1	Seal Kit (Includes Items 2-5, 9, 10, 13 & 14)	

SECTION 5 CYLINDER

FIGURE 5-4. STEER CYLINDER ASSEMBLY



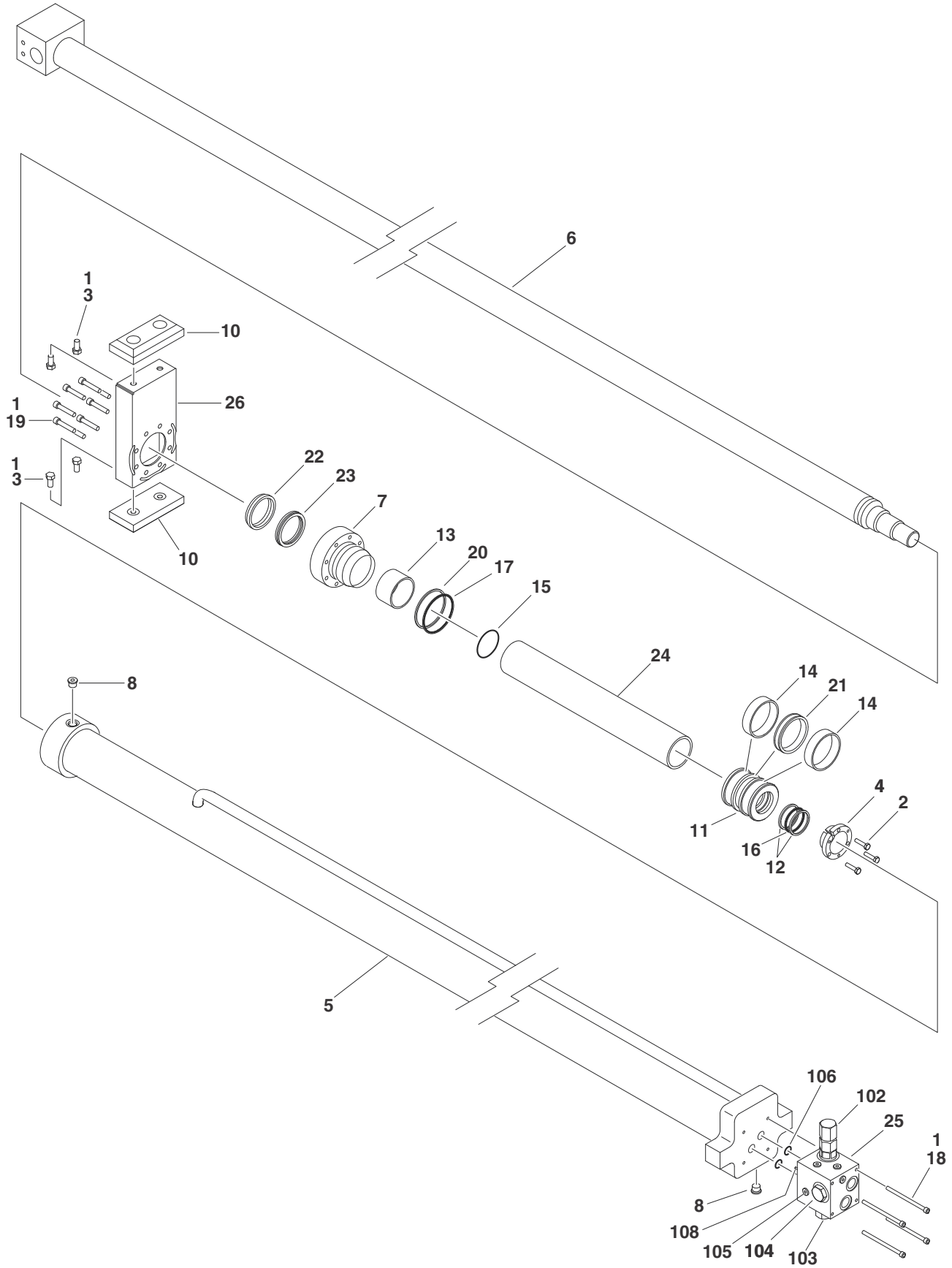
SECTION 5 CYLINDER

FIGURE 5-4. STEER CYLINDER ASSEMBLY

ITEM #	PART NUMBER	QTY.	DESCRIPTION	REV.
	1001130477	Ref	STEER CYLINDER ASSEMBLY	E
1	70004220	1	Rod	
2	70004221	2	Head	
3	Use 70004227	2	Wiper	
4	70003636	4	Ring, Locking	
5	Use 70004227	2	Seal, Rod	
6	Use 70004227	4	Ring, Wear	
7	Use 70004227	2	O-Ring	
8	Use 70004227	2	Ring, Back-up	
9	70004222	1	Piston	
10	Use 70004227	2	Ring, Wear	
11	70004223	1	Setscrew	
12	70004224	1	Ball	
13	Use 70004227	1	Seal, Piston	
14	Use 70004227	1	O-Ring	
15	70004225	1	Barrel	
16	70004226	2	Bearing	
17 to 49	Not Used			
50	70004227	1	Seal Kit (Includes Items 3, 5-8, 10, 13 & 14)	

SECTION 5 CYLINDER

FIGURE 5-5. TELESCOPE CYLINDER ASSEMBLY



SECTION 5 CYLINDER

FIGURE 5-5. TELESCOPE CYLINDER ASSEMBLY

ITEM #	PART NUMBER	QTY.	DESCRIPTION	REV.
	1001150646	Ref	TELESCOPE CYLINDER ASSEMBLY	A
1	0100011	AR	Compound, Locking	
2	0630535	3	Bolt 1/4in-20NC x 1-1/8in	
3	0641606	4	Bolt 3/8in-16NC x 3/4in	
4	0961902	1	Bushing, Tapered	
5	1683905	1	Barrel	
6	1683907	1	Rod	
7	1684008	1	Ring, Back-up	
8	220885	2	Plug	
9	Not Used			
10	3340880	2	Pad	
11	3480257	1	Piston	
12	Use 2902019	2	Ring, Back-up	
13	Use 2902019	1	Ring, Wear	
14	Use 2902019	2	Ring, Wear	
15	Use 2902019	1	O-Ring	
16	Use 2902019	1	O-Ring	
17	Use 2902019	1	O-Ring	
18	3931464	4	Capscrew 1/4in-20NC x 4in	
19	3931528	8	Capscrew 5/16in-18NC x 1-3/4in	
20	Use 2902019	1	Ring, Back-up	
21	Use 2902019	1	Seal	
22	Use 2902019	1	Wiper	
23	Use 2902019	1	Seal	
24	4568030	1	Spacer	
25	1001133245	1	Valve Block Assembly (See Items 101-108 for Breakdown)	
26	1001150645	1	Support	
27 to 49	Not Used			
50	Use 2902019	1	Seal Kit (Includes Items 12-17 & 20-23)	
	1001133245	Ref	VALVE BLOCK ASSEMBLY	B
101	Not Used			
102	70003926	1	Cartridge, Counterbalance Valve	
	70004186	1	Seal Kit - 70003926 Valve	
103	70004155	1	Cartridge, Counterbalance Valve	
	70004186	1	Seal Kit - 70004155 Valve	
104	70003928	1	Cartridge, Shuttle	
	70003929	1	Seal Kit -70003928 Valve	
105	2220883	7	Plug 1/4in	
106	70003982	2	O-Ring	
107	Not Used			
108	70003930	1	Rollpin	

SECTION 5 CYLINDER

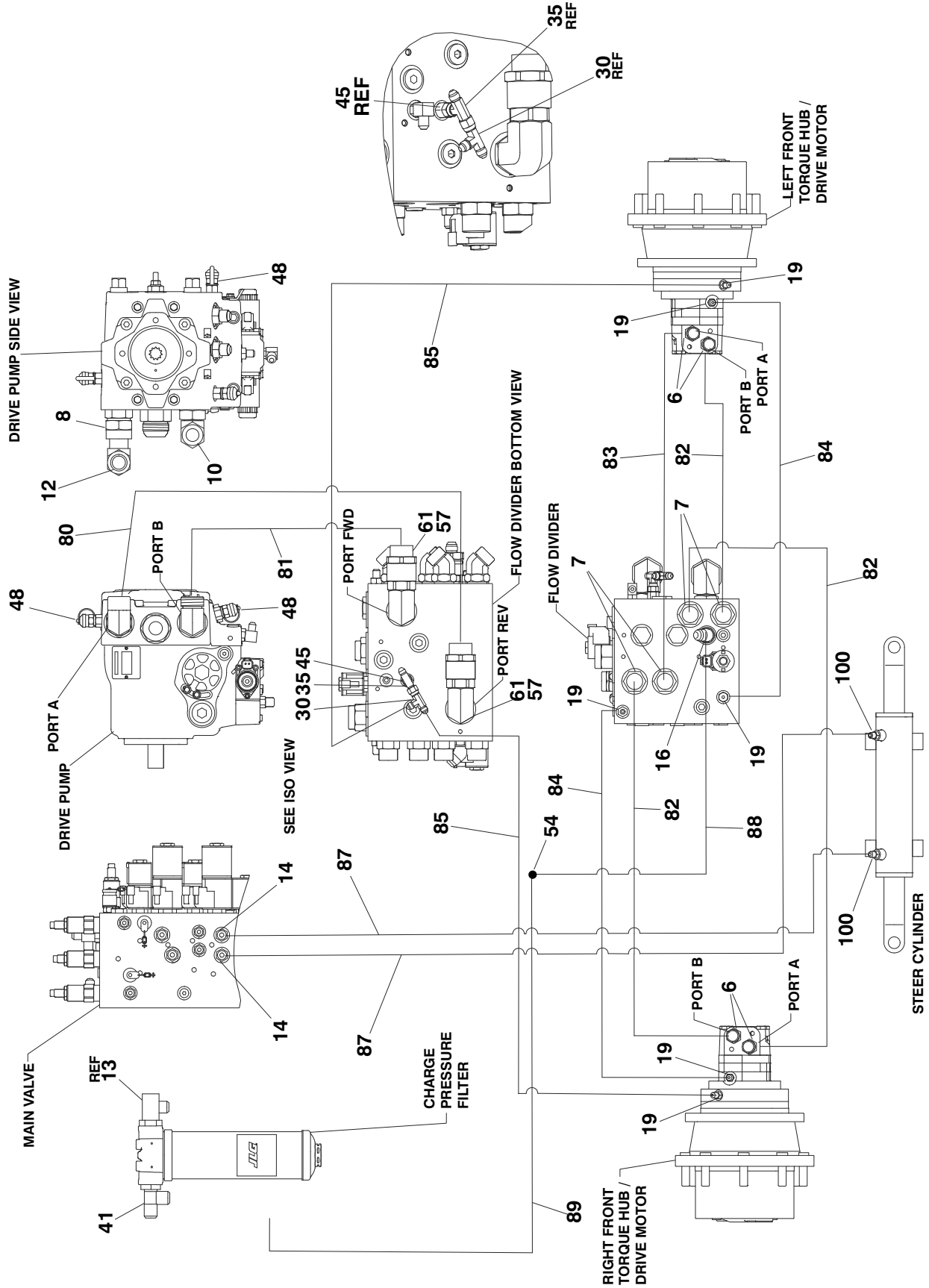
FIGURE 5-5. TELESCOPE CYLINDER ASSEMBLY (CONTINUED)

ITEM #	PART NUMBER	QTY.	DESCRIPTION	REV.

SECTION 6 HYDRAULIC

SECTION 6 HYDRAULIC

FIGURE 6-1. HYDRAULIC INSTALLATION (FRONT AXLE)



SECTION 6 HYDRAULIC

FIGURE 6-1. HYDRAULIC INSTALLATION (FRONT AXLE)

ITEM #	PART NUMBER	QTY.	DESCRIPTION	REV.
	1001143680	Ref	HYDRAULIC INSTALLATION (FRONT AXLE)	D
1 to 5	Not Used			
6	2111010	AR	Fitting, Straight	
7	2111212	AR	Fitting, Straight	
8	2111616	AR	Fitting, Straight	
9	Not Used			
10	2131616	AR	Fitting, Elbow	
11	Not Used			
12	2172116	AR	Fitting, Elbow	
13	Not Used			
14	2220371	AR	Fitting, Straight	
15	Not Used			
16	2220373	AR	Fitting, Straight	
17 to 18	Not Used			
19	2220415	AR	Fitting, Straight	
20 to 29	Not Used			
30	2220605	AR	Fitting, Tee	
31 to 34	Not Used			
35	2220861	AR	Fitting, Tee	
36 to 40	Not Used			
41	2221041	AR	Fitting, Tee	
42 to 44	Not Used			
45	4641282	AR	Valve, Orifice Check	
46 to 47	Not Used			
48	77133089	AR	Valve, Mini Check	
49 to 53	Not Used			
54	1001141014	AR	Fitting, Swivel	
55 to 56	Not Used			
57	1001142679	AR	Fitting, Swivel	
58 to 60	Not Used			
61	1001143936	AR	Fitting, Elbow	
62 to 79	Not Used			
80	1001146316	AR	Hose	
81	1001146317	AR	Hose	
82	1001146319	AR	Hose	
83	1001146320	AR	Hose	
84	1001146321	AR	Hose	
85	1001146322	AR	Hose	
86	Not Used			
87	1001146324	AR	Hose	
88	1001146325	AR	Hose	
89	1001146326	AR	Hose	
90 to 99	Not Used			
100	1001152155	AR	Fitting, Straight	

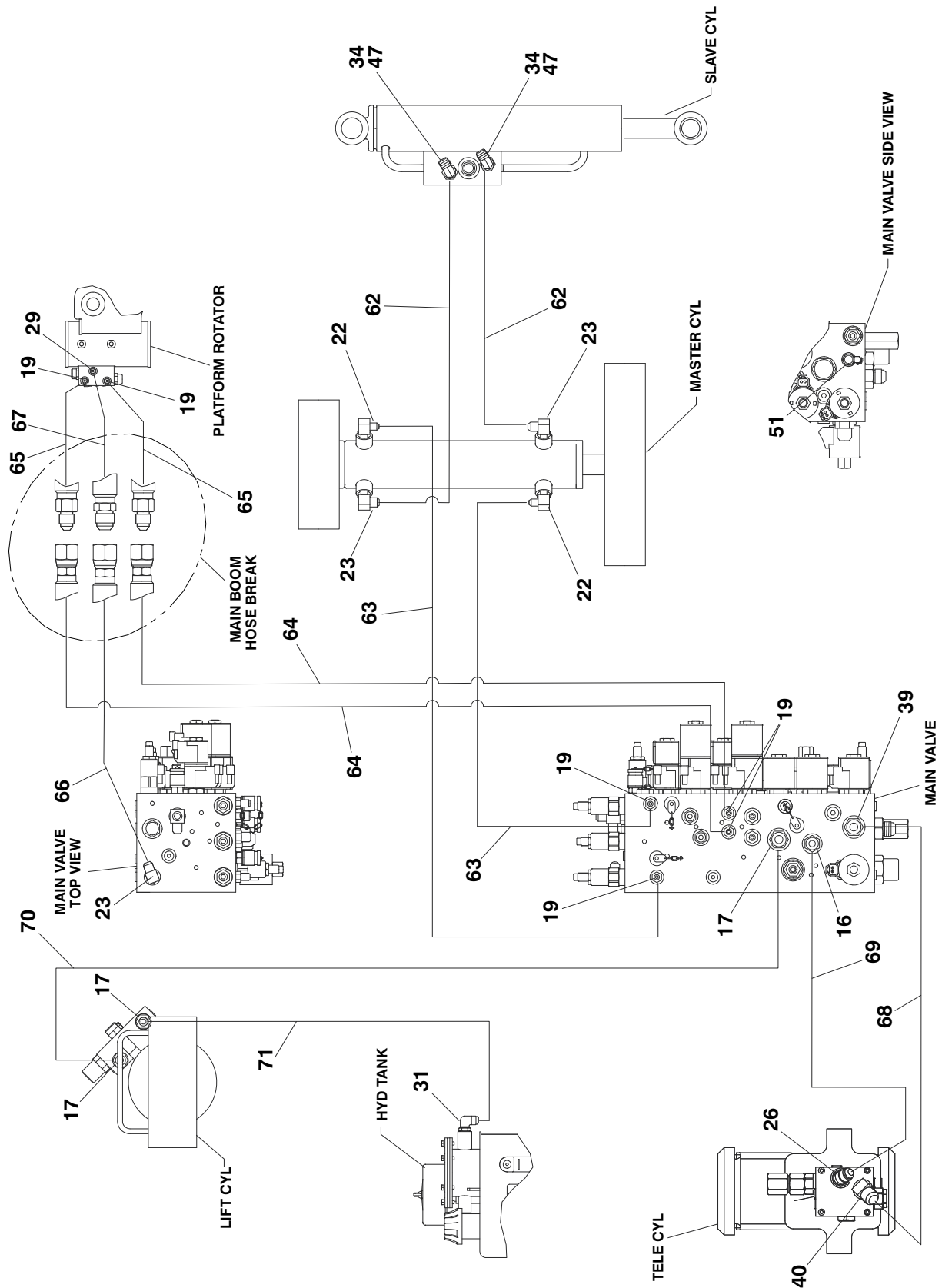
SECTION 6 HYDRAULIC

FIGURE 6-2. HYDRAULIC INSTALLATION (REAR AXLE)

ITEM #	PART NUMBER	QTY.	DESCRIPTION	REV.
	1001143680	Ref	HYDRAULIC INSTALLATION (REAR AXLE)	D
1 to 5	Not Used			
6	2111010	AR	Fitting, Straight	
7 to 8	Not Used			
9	2130404	AR	Fitting, Elbow	
10	Not Used			
11	2151212	AR	Fitting, Elbow	
12 to 13	Not Used			
14	2220371	AR	Fitting, Straight	
15 to 20	Not Used			
21	2220466	AR	Fitting, Elbow	
22	2220472	AR	Fitting, 9Elbow	
23 to 26	Not Used			
27	2220502	AR	Fitting, Elbow	
28	2220602	AR	Fitting, Tee	
29	2220603	AR	Fitting, Straight	
30 to 51	Not Used			
52	1001119627	AR	Fitting, Straight	
53 to 59	Not Used			
60	1001143602	AR	Fitting, Straight	
61 to 85	Not Used			
86	1001146323	AR	Hose	
87 to 89	Not Used			
90	1001146328	AR	Hose	
91	1001146332	AR	Hose	
92	1001146333	AR	Hose	
93	1001146334	AR	Hose	
94	1001146335	AR	Hose	
95 to 98	Not Used			
99	1001151894	AR	Hose	
100	Not Used			
101	1001152170	AR	Fitting, Straight	

SECTION 6 HYDRAULIC

FIGURE 6-3. HYDRAULIC INSTALLATION (BOOM)



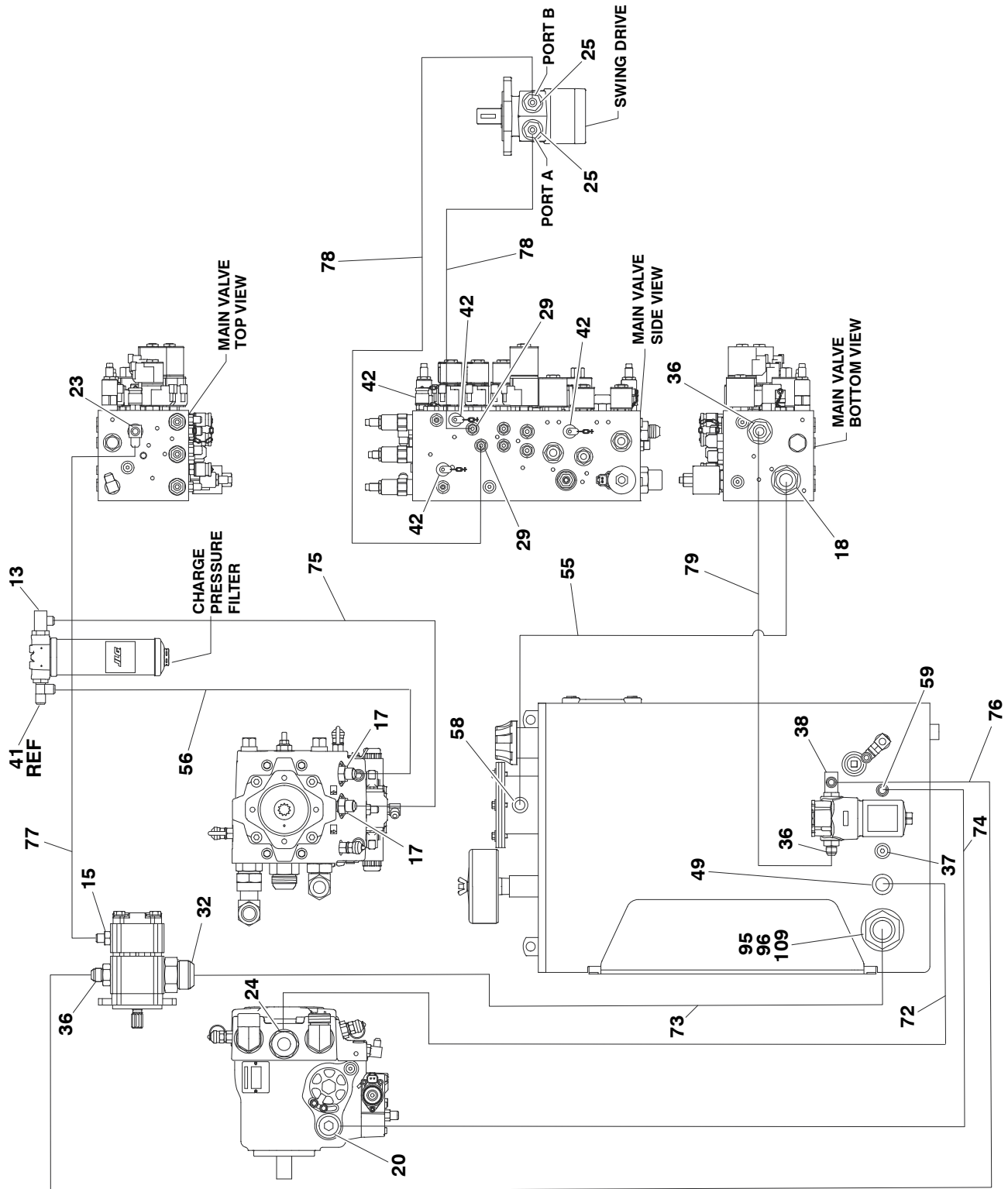
SECTION 6 HYDRAULIC

FIGURE 6-3. HYDRAULIC INSTALLATION (BOOM)

ITEM #	PART NUMBER	QTY.	DESCRIPTION	REV.
	1001143680	Ref	HYDRAULIC INSTALLATION (BOOM)	D
1 to 15	Not Used			
16	2220373	AR	Fitting, Straight	
17	2220374	AR	Fitting, Straight	
18	Not Used			
19	2220415	AR	Fitting, Straight	
20 to 21	Not Used			
22	2220472	AR	Fitting, Elbow	
23	2220473	AR	Fitting, Elbow	
24 to 25	Not Used			
26	2220500	AR	Fitting, Elbow	
27 to 28	Not Used			
29	2220603	AR	Fitting, Straight	
30	Not Used			
31	2220671	AR	Fitting, Elbow	
32 to 33	Not Used			
34	2220819	AR	Fitting, Elbow	
35 to 38	Not Used			
39	2220947	AR	Fitting, Straight	
40	2220950	AR	Fitting, Elbow	
41 to 46	Not Used			
47	8770016	AR	Fitting, Tee	
48 to 50	Not Used			
51	1001119455	AR	Valve, Oil Sampling	
52 to 61	Not Used			
62	1001144270	AR	Hose	
63	1001144273	AR	Hose	
64	1001144274	AR	Hose	
65	1001144275	AR	Hose	
66	1001144279	AR	Hose	
67	1001144280	AR	Hose	
68	1001144281	AR	Hose	
69	1001144282	AR	Hose	
70	1001144284	AR	Hose	
71	1001144285	AR	Hose	

SECTION 6 HYDRAULIC

FIGURE 6-4. HYDRAULIC INSTALLATION (DRIVE PUMP)



SECTION 6 HYDRAULIC

FIGURE 6-4. HYDRAULIC INSTALLATION (DRIVE PUMP)

ITEM #	PART NUMBER	QTY.	DESCRIPTION	REV.
	1001139017	Ref	HYDRAULIC INSTALLATION (DRIVE PUMP)	D
1 to 12	Not Used			
13	2220366	AR	Fitting, Elbow	
14	Not Used			
15	2220372	AR	Fitting, Straight	
16	Not Used			
17	2220374	AR	Fitting, Straight	
18	2220377	AR	Fitting, Straight	
19	Not Used			
20	2220451	AR	Fitting, Straight	
21 to 22	Not Used			
23	2220473	AR	Fitting, Elbow	
24	2220479	AR	Fitting, Straight	
25	2220497	AR	Fitting, Straight	
26 to 28	Not Used			
29	2220603	AR	Fitting, Straight	
30 to 31	Not Used			
32	2220689	AR	Fitting, Straight	
33 to 35	Not Used			
36	2220865	AR	Fitting, Straight	
37	2220886	AR	Fitting, Plug	
38	2220906	4	Fitting, Elbow	
39 to 41	Not Used			
42	2221086	AR	Fitting, Test	
43 to 48	Not Used			
49	80633030	1	Clamp	
50 to 54	Not Used			
55	1001141373	AR	Hose	
56	1001142246	AR	Hose	
57	Not Used			
58	1001143501	1	Clamp	
59	1001143517	1	Clamp	
60 to 71	Not Used			
72	1001145002	AR	Hose	
73	1001146307	AR	Hose	
74	1001146308	AR	Hose	
75	1001146310	AR	Hose	
76	1001146311	AR	Hose	
77	1001146312	AR	Hose	
78	1001146313	1	Hose	
79	1001146315	1	Hose	
80 to 94	Not Used			
95	1001146391	AR	Fitting, Straight	
96	1001146392	AR	Fitting, Straight	
97 to 108	Not Used			
109	90028482		Clamp	

SECTION 6 HYDRAULIC

FIGURE 6-5. HYDRAULIC DIAGRAM LIST

ITEM #	PART NUMBER	QTY.	DESCRIPTION	REV.
		Ref	Note: Diagrams with asterisk (*) are shown in the preceding pages. Information on diagrams not shown are available from JLG Service/Parts Departments.	Ref
	1001143680*	Ref	Hydraulic Diagram Installation	
	1001131499	Ref	Standard Hydraulic Schematic	

SECTION 7 ELECTRICAL

SECTION 7 ELECTRICAL

FIGURE 7-1. ELECTRICAL DIAGRAM LIST

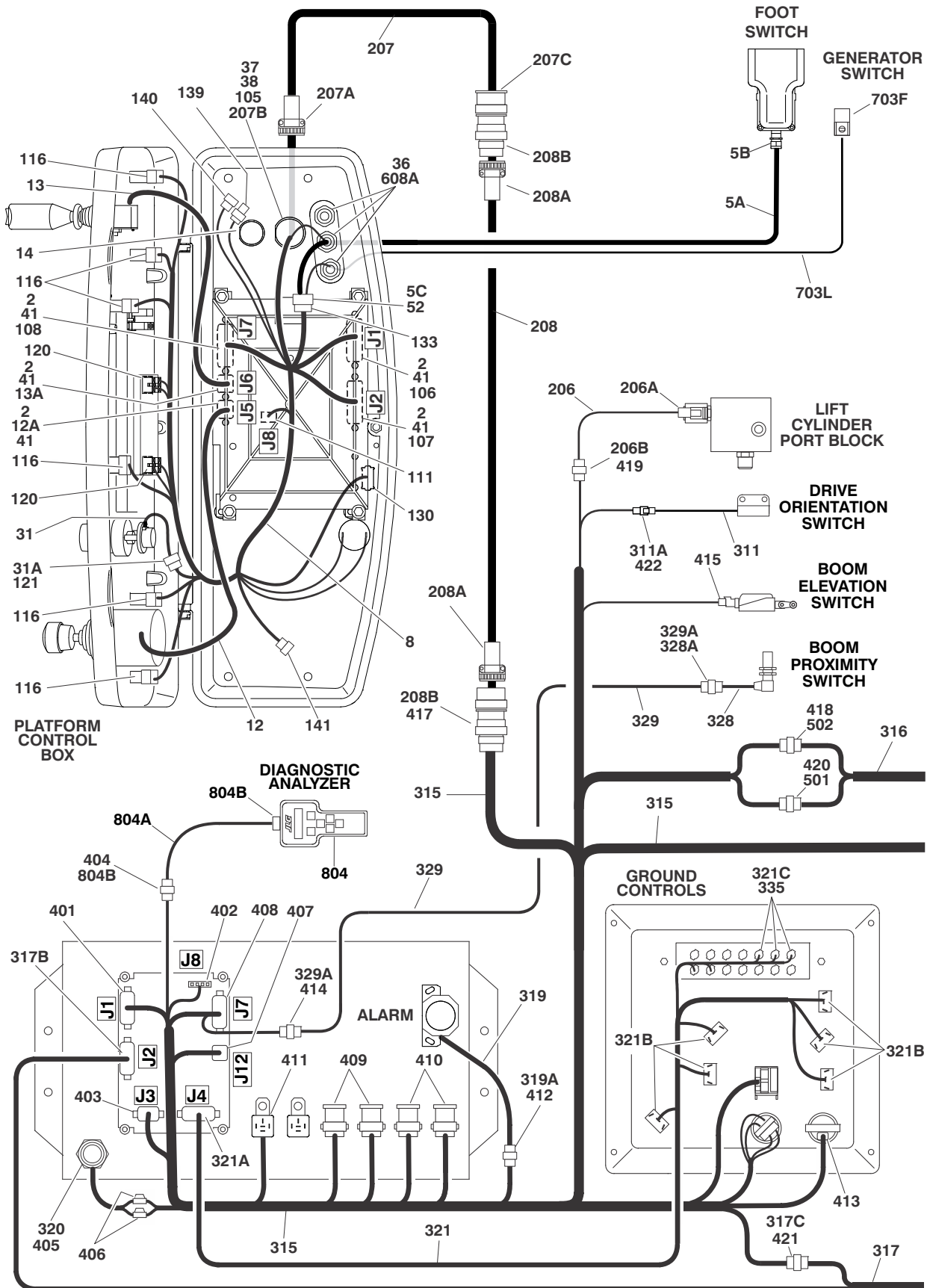
ITEM #	PART NUMBER	QTY.	DESCRIPTION	REV.
		Ref	Note: Diagrams are available from the JLG Service Department.	
	1001145950	Ref	7500W GENERATOR ELECTRICAL DIAGRAM	
	1001129238	Ref	STANDARD ELECTRICAL SCHEMATIC	

SECTION 7 ELECTRICAL

ITEM #	PART NUMBER	QTY.	DESCRIPTION	REV.

SECTION 7 ELECTRICAL

FIGURE 7-2. HARNESS COMPONENTS INSTALLATION



SECTION 7 ELECTRICAL

FIGURE 7-2. HARNESS COMPONENTS INSTALLATION

ITEM #	PART NUMBER	QTY.	DESCRIPTION	REV.
	1001133602	Ref	PLATFORM CONSOLE BOX ASSEMBLY	D
1	Not Used			
2	0100048	AR	Grease, Dielectric	
3 to 4	Not Used			
5	0272970	Ref	Footswitch Components	B
5A	1060918	7ft/2.1m	Cable, Electrical - 18/3	
5B	4460071	1	Connector, Strain Relief	
5C	4460226	2	Socket, Female	
	4460464	1	Pin, Male	
6 to 7	Not Used			
8	1001133752	1	Harness, Platform Box (See Items 101-133 for Breakdown)	
9 to 11	Not Used			
12	See Note	1	Controller Harness Assembly (Lift and Swing) (Note: Not Available - Purchase Complete Controller)	
12A	7022819	1	Plug, Male - 8 Position (Natural)	
	4460871	6	Socket, Female	
13	7022824	1	Controller Harness Assembly (Drive and Steer)	
13A	1001113961	1	Plug, Male - 8 Position (Black)	
	4460871	7	Socket, Female	
14	1001110434	1	D-Plug	
15 to 30	Not Used			
31	See Note	1	Controller Harness Assembly (Speed Control) (Note: Not Available - Purchase Complete Controller)	
31A	4460224	1	Receptacle, Female - 6 Position	
	4460268	6	Socket, Female	
32 to 35	Not Used			
36	4460428	2	Connector, Strain Relief	
37	4460470	1	Nut, Terminal	
38	4460471	1	Lockwasher, Terminal	
39 to 40	Not Used			
41	4460905	5	Seal, Plug	
42 to 51	Not Used			
52	4460708	1	Receptacle - 15 Position	
	1001133752	Ref	PLATFORM BOX HARNESS ASSEMBLY	E
101 to 104	Not Used			
105	4460866	1	Connector - 19 Position	
	4460464	5	Pin, Male 16 Ga	
	4460508	2	Pin, Male 12 Ga	
	4460943	3	Pin, Male 16 Ga (Gold)	
	4460466	9	Plug, Sealing	
106	4460874	1	Connector - 35 Position (Natural)	
	4460871	17	Socket, Female	
107	4460875	1	Connector - 35 Position (Gray)	
	4460871	14	Socket, Female	
108	4460873	1	Connector - 35 Position (Black)	
	4460871	16	Socket, Female	

SECTION 7 ELECTRICAL

FIGURE 7-2. HARNESS COMPONENTS INSTALLATION (CONTINUED)

ITEM #	PART NUMBER	QTY.	DESCRIPTION	REV.
109 to 110	Not Used			
111	4460879	1	Connector, Male 2 Position	
	4460887	2	Terminal	
112 to 115	Not Used			
116	4460418	6	Connector, Female - 6 Position	
	4460419	17	Socket, Female	
117 to 119	Not Used			
120	4460225	3	Plug, Male - 6 Position	
	4460226	9	Socket, Female	
121	4460225	1	Plug, Male - 6 Position	
	4460227	5	Pin, Male	
122 to 129	Not Used			
130	4460761	1	Plug, Male - 4 Position	
	4460227	4	Pin, Male	
131 to 132	Not Used			
133	4460434	1	Plug, Male - 15 Position	
	4460227	3	Pin, Male	
134 to 138	Not Used			
139	4460539	2	Plug, Male - 3 Position (Triangular)	
	4460944	6	Socket, Female (Gold)	
140	4460536	2	Receptacle, Female - 3 Position (Triangular)	
	4460943	3	Pin, Male (Gold)	
141	4460326	1	Plug, Male - 3 Position (To SkyGuard Option)	
	4460434	3	Pin, Male	
		Ref	BOOM CABLES INSTALLATION	
	1001144445	Ref	Machines without SkyPower	D
	1001142574	Ref	Machines with SkyPower	D
201 to 205	Not Used			
206	1001138511	1	Harness, Lift Down	A
206A	4460891	1	Plug, Male - 2 Position (Gray)	
	4460465	2	Socket, Female	
206B	4460897	1	Receptacle Female - 2 Position	
	4460464	2	Pin, Male	
207	1001145918	1	Harness Assembly - Main Boom	C
207A	4460473	1	Clamp, Cable	
207B	4460865	1	Connector - 19 Position	
	2820031	AR	Heat Shrink	
	4460465	11	Socket, Female	
	4460509	4	Socket, Female	
	4460466	4	Plug, Sealing	
207C	4460866	1	Connector - 19 Position	
	2820031	AR	Heat Shrink	
	4460464	11	Pin, Female	
	4460508	4	Pin, Female	
	4460466	4	Plug, Sealing	

SECTION 7 ELECTRICAL

FIGURE 7-2. HARNESS COMPONENTS INSTALLATION (CONTINUED)

ITEM #	PART NUMBER	QTY.	DESCRIPTION	REV.
208	1001145919	1	Harness Assembly - Tower Boom	A
208A	4460473	2	Clamp, Cable	
208B	4460865	2	Connector - 19 Position	
	2820031	AR	Heat Shrink	
	4460465	22	Socket, Female	
	4460509	8	Socket, Female	
	4460466	8	Plug, Sealing	
209		1	Cable, AC Main Boom Options:	
	1001145920		Machines without SkyPower	B
	1001145922		Machines with SkyPower	C
209A		1	Plug, Male Options:	
	4460205		Machines without SkyPower	
	4460959		Machines with SkyPower	
	1671093		Cover (Machines with SkyPower Only)	
210		1	Cable, AC Tower Boom Options:	
	1001145921		Machines without SkyPower	B
	1001145923		Machines with SkyPower	A
210A		1	Receptacle, Female Twist Lock Options:	
	4460134		Machines without SkyPower	
	4460960		Machines with SkyPower	
	1671092		Cover (Machines with SkyPower Only)	
	1001137908	Ref	ELECTRICAL INSTALLATION	E
301 to 310	Not Used			
311	Use 4360514	1	Harness, Proximity Sensor (Includes Sensor)	B
311A	4460424	1	Receptacle, Female - 2 Position	
	4460227	2	Pin, Male	
312 to 314	Not Used			
315	1001132511	1	Turntable Harness Assembly (See Items 401-422 for Breakdown)	
316	1001132556	1	Engine Harness Assembly (See Items 501-507 for Breakdown)	
317	1001134067	1	Harness, Valve	C
317A	4460891	14	Plug, Male - 2 Position	
	4460465	28	Socket, Female	
317B	4460875	1	Connector - 35 Position (Gray)	
	4460871	13	Socket, Female	
317C	4460851	1	Plug, Male - 8 Position (Black)	
	4460465	3	Socket, Female	
318	Not Used			
319	0140043	1	Alarm Harness (Includes Alarm)	D
319A	4460536	1	Receptacle, Female - 3 Position (Triangular)	
	4460464	3	Pin, Male	
320	1001112612	1	Connector - 9 Position (Includes Nut & Lockwasher)	
	4460496	1	Locknut, Terminal	
	4460497	1	Nut, Terminal	
	4460944	3	Socket, Female (Gold)	
	4460465	3	Socket, Female	
	4460466	3	Seal, Plug	
	1001106736	1	Cap, Dust	

SECTION 7 ELECTRICAL

FIGURE 7-2. HARNESS COMPONENTS INSTALLATION (CONTINUED)

ITEM #	PART NUMBER	QTY.	DESCRIPTION	REV.
321	1001135506	1	Harness, Ground Control Panel	A
321A	4460876	1	Connector - 35 Position (Blue)	
	4460871	19	Socket, Female	
	4460905	16	Seal, Plug	
321B	4460418	6	Connector, Female - 6 Position	
	4460419	23	Socket, Female	
321C	4120035	5	Base, Light	
	4460634	6	Terminal (16 Gauge)	
	4460635	8	Terminal (12 Gauge)	
322 to 325	Not Used			
324	1001145874	1	Harness, Chassis	A
324A	4460932	1	Receptacle, Female - 4 Position	
	4460464	4	Pin, Male	
324B	4460891	2	Plug, Male - 2 Position	
	4460465	4	Socket, Female	
325 to 327	Not Used			
328	Use 1001150772	1	Harness, Proximity Sensor (Includes Sensor)	
328A	4460536	1	Receptacle, Female - 3 Position (Triangular)	
	4460464	3	Pin, Male	
329	1001151521	1	Harness, Proximity Sensor	B
329A	4460539	2	Plug, Male - 3 Position (Triangular)	
	4460465	3	Socket, Female	
330	Not Used			
331	1001159284	1	Harness, EMR2 Power	
331A	1001118282	1	Relay	
	1001116734	1	Terminal	
	1001116732	3	Terminal	
	1001128128	1	Terminal	
331B	4460539	2	Plug, Male - 3 Position (Triangular)	
	4460465	3	Socket, Female	
331C	2400060	1	Fuseholder	
	2400064	1	Fuse - 5 Amp	
332 to 334	Not Used			
335	2920129	5	Bulb, Light	
	1001132511	Ref	TURNTABLE HARNESS ASSEMBLY	F
401	4460874	1	Connector - 35 Position (Natural)	
	4460871	15	Socket, Female	
	4460905	20	Plug, Seal	
402	4460878	1	Housing, Terminal - 4 Position	
	4460887	4	Terminal	
403	4460872	1	Connector, Male - 14 Position (Black)	
	4460871	4	Socket, Female	
	4460905	10	Seal, Plug	
404	4460761	1	Plug, Male - 4 Position	
	4460227	4	Pin, Male	

SECTION 7 ELECTRICAL

FIGURE 7-2. HARNESS COMPONENTS INSTALLATION (CONTINUED)

ITEM #	PART NUMBER	QTY.	DESCRIPTION	REV.	
405	1001112612	1	Connector - 9 Position (Includes Nut & Lockwasher)		
	4460496	1	Locknut, Terminal		
	4460497	1	Nut, Terminal		
	4460944	3	Socket, Female (Gold)		
	4460465	3	Socket, Female		
	4460466	3	Seal, Plug		
	1001106736	1	Cap, Dust		
	406	260305	2	Fuse 5Amp	
		2400066	2	Fuseholder	
	407	1001113961	1	Connector - 8 Position (Black)	
4460871		5	Socket, Female		
4460905		3	Seal, Plug		
408	4460873	1	Connector - 35 Position (Black)		
	4460871	21	Socket, Female		
	4460905	14	Seal, Plug		
409	4460837	2	Connector, Bussbar - 12 Position (Black)		
	1001121172	2	Bracket, Terminal Mounting		
	4460836	2	Plug, Male - 12 Position (Black)		
	4460465	3	Socket, Female		
	4460942	7	Socket, Female		
	4460466	13	Seal, Plug		
410	1001119020	2	Connector, Bussbar - 12 Position (Gray)		
	1001121172	2	Bracket, Terminal Mounting		
	4460933	2	Plug, Male - 12 Position (Gray)		
	4460465	9	Socket, Female		
	4460944	8	Socket, Female		
411	4460466	7	Seal, Plug		
	1001117057	1	Plug, Male - 5 Position		
	1001116734	2	Terminal		
	1001116733	2	Terminal		
	1001116728	1	Terminal		
	70020199	2	Diode - 6Amp		
	412	4460539	1	Plug, Male - 3 Position (Triangular)	
4460465		3	Socket, Female		
413	4460868	1	Plug, Male - 6 Position		
	4460877	4	Socket, Female		
414	4460536	1	Receptacle, Female - 3 Position (Triangular)		
	4460464	3	Pin, Male		
415	4460884	2	Plug, Male - 4 Position		
	4460465	6	Socket, Female		
	4460466	2	Seal, Plug		
416	2400065	1	Fuse, 30Amp		
	2400066	1	Fuseholder		
417	4460866	1	Connector - 19 Position		
	4460464	9	Pin, Male 16 Ga		
	4460508	2	Pin, Male 12 Ga		
	4460466	8	Plug, Sealing		
418	4460894	1	Plug, Male - 6 Position		
	4460465	6	Socket, Female		

SECTION 7 ELECTRICAL

FIGURE 7-2. HARNESS COMPONENTS INSTALLATION (CONTINUED)

ITEM #	PART NUMBER	QTY.	DESCRIPTION	REV.
419	4460891	2	Plug, Male - 2 Position	
	4460465	4	Socket, Female	
420	4460930	1	Plug, Male - 8 Position (Gray)	
	4460465	8	Socket, Female	
421	1001116813	1	Receptacle, Female - 8 Position (Black)	
	4460464	7	Pin, Male	
	4460466	1	Plug, Sealing	
422	4460320	1	Receptacle, Female - 2 Position	
	4460226	2	Pin, Male	
	1001132556	Ref	ENGINE HARNESS ASSEMBLY	E
501	4460931	1	Receptacle, Female - 8 Position (Gray)	
	4460464	8	Pin, Male	
502	4460899	1	Receptacle, Male - 6 Position (Gray)	
	4460464	4	Pin, Male	
	4460943	2	Pin, Male (Gold)	
503	4460891	2	Plug, Male - 2 Position	
	4460465	4	Socket, Female	
504	4461052	1	Connector, Receptacle - 25 Position (Deutz Engine Only)	
	4461005	2	Terminal (Gold) (Deutz Engine Only)	
	4461006	AR	Seal, Terminal (Deutz Engine Only)	
	4461060	5	Terminal (Tin) (Deutz Engine Only)	
	4461054	AR	Seal, Terminal (Deutz Engine Only)	
	4461053	1	Cover, Plug (Deutz Engine Only)	
	4461008	AR	Plug, Hole (Deutz Engine Only)	
505	2902443	1	Receptacle Kit (Deutz Engine Only)	
	4461071	8	Socket, Female (Gold)	
	4461072	1	Receptacle 8 Position with Mounting Flange	
	4461073	1	Cap, Dust	
	4461074	1	Shell	
506	2400060	1	Fuseholder	
	2400064	1	Fuse - 5 Amp	
507	4460967	1	Plug, Male - 3 Position	
	4460465	3	Socket, Female	
508	4460536	1	Receptacle, Female - 3 Position (Triangular)	
	4460943	3	Pin, Male (Gold)	
		Ref	STANDARD HARNESS COMPONENTS	
601	4923451	1	Harness, Glow Plugs	B
602	1001139628	1	Cable, Negative Battery (-)	
603	1001140605	1	Cable, Positive Battery (+)	
604	7027796	1	Deutz Engine Harness	
605	4461052	1	Receptacle, Female - 25 Position	
	4461053	1	Cover, Receptacle	
	4461005	5	Terminal	
	4461006	5	Seal	
	4461060	2	Terminal	

SECTION 7 ELECTRICAL

FIGURE 7-2. HARNESS COMPONENTS INSTALLATION (CONTINUED)

ITEM #	PART NUMBER	QTY.	DESCRIPTION	REV.
605 cont'd	4461054	2	Seal (Used with p/n 4461060)	
	4461008	18	Plug, Hole	
606	70001872	1	Deutz Engine Harness (For other replacement parts refer to Deutz Engine dealer) (was p/n 7027794)	
607	7027793	1	Plug-In, Connector	
608			AC to Platform Receptacle Components Options:	
	1001141620	Ref	110V GFI Receptacle (ANSI Export Specs)	B
	1001141622	Ref	220V Receptacle (ANSI Export Specs)	A
	1001141621	Ref	Dealer/Customer Supplied Components	B
608A		1	Box, Switch Options:	
	0860038		1001141620 & 1001141622 Installations	
	See Note		1001141621 Installation (Note: Not Available - Purchase Locally.)	
608B		1	Decal - Voltage Options:	
	3251243		120V-60Hz - 1001141620 Installations	
	3252507		220V-50/60Hz - 1001141622 Installations	
	See Note		1001141621 Installation (Note: Not Available - Purchase Locally.)	
608C		1	Gasket Options:	
	3960422		1001141620 & 1001141622 Installations	
	See Note		1001141621 Installation (Note: Not Available - Purchase Locally.)	
608D		1	Plug, Male Options:	
	4460205		120V-60Hz - 1001141620 Installation	
	4460233		220V-50/60Hz - 1001141622 Installation	
	See Note		1001141621 Installation (Note: Not Available - Purchase Locally.)	
608E		1	Receptacle Options:	
	4460346		1001141620 Installations	
	4460125		1001141622 Installation	
	See Note		1001141621 Installation (Note: Not Available - Purchase Locally.)	
608F		1	Shield, Cover Options:	
	1001110873		1001141620 Installations	
	4060092		1001141622 Installation	
	See Note		1001141621 Installation (Note: Not Available - Purchase Locally.)	
608G		1	Connector, Strain Relief Options:	
	4460071		1001141620 & 1001141622 Installations	
	See Note		1001141621 Installation (Note: Not Available - Purchase Locally.)	
		Ref	OPTIONAL HARNESS COMPONENTS	
701	Use 2920161	1	Harness, Beacon (Includes Beacon Light)	
701A	4460891	1	Plug, Male - 2 Position	
	4460465	2	Socket, Female	
702	1001138512	1	Harness, Beacon	
702A	4460897	2	Receptacle Female - 2 Position	
	4460464	4	Pin, Male	

SECTION 7 ELECTRICAL

FIGURE 7-2. HARNESS COMPONENTS INSTALLATION (CONTINUED)

ITEM #	PART NUMBER	QTY.	DESCRIPTION	REV.
703		Ref	7500W SkyPower Generator Installation	
	1001141956	Ref	60Hz Spec	D
	1001141957	Ref	50Hz Spec	B
		Ref	Note: Refer to Manual Supplement p/n 3124242 for additional available replacement parts.	
703A		1	Box, Switch Options:	
	0860038 See Note		60Hz 50Hz (Note: Not Available - Purchase Locally.)	
703B		2	Gasket Options:	
	3960422 See Note		60Hz Spec 50Hz Spec (Note: Not Available - Purchase Locally.)	
703C		1	Cover, Receptacle Options:	
	1001110873 See Note		60Hz Spec 50Hz Spec (Note: Not Available - Purchase Locally.)	
703D		1	Receptacle Options:	
	4460346 See Note		60Hz Spec 50Hz Spec (Note: Not Available - Purchase Locally.)	
703E		1	Connector, Strain Relief Options:	
	4460071 See Note		60Hz Spec 50Hz Spec (Note: Not Available - Purchase Locally.)	
703F	4360336	1	Switch, Toggle	
	4060802	1	Guard, Switch	
	2820031	AR	Heatshrink	
	3252764	1	Nameplate - AC & Weld	
703G	4922925	1	Harness, Generator	A
703H	4460225	1	Plug, Male - 6 Position	
	4460226	6	Socket, Female	
703J	See Note	1	Plug, Male - 6 Position (Note: Not Available for Purchase.)	
	See Note	6	Socket, Female (Note: Not Available for Purchase.)	
703K	1001145950	Ref	Generator Wiring Diagram (Not Shown)	C
703L	4922641	1	Harness, Generator Switch	1/A
	4460226	2	Socket, Female	
704		Ref	7500W SkyPower Generator Junction Box Components	
	1001145950	Ref	60Hz Spec	A
	0861567	Ref	50Hz Specs	B
		Ref	Note: Refer to Manual Supplement p/n 3124242 for additional available replacement parts.	
704A	1060343	1.5ft/.46m	Cable, Electrical 10/4 (60Hz Only)	
704B		2ft/.6m	Cable, Electrical 12/3	
	1060494 See Note		60Hz Spec 50Hz Spec (Note: Not Available - Purchase Locally.)	
704C	4460425	2	Connector, Strain Relief	
	3520192	AR	Plug (50Hz Spec Only)	
704D	4460426	2	Connector, Strain Relief	
	3520189	1	Plug (50Hz Spec Only)	
704E	1671092	1	Cover (60Hz Spec Only)	
	4460963	1	Connector (60Hz Spec Only)	

SECTION 7 ELECTRICAL

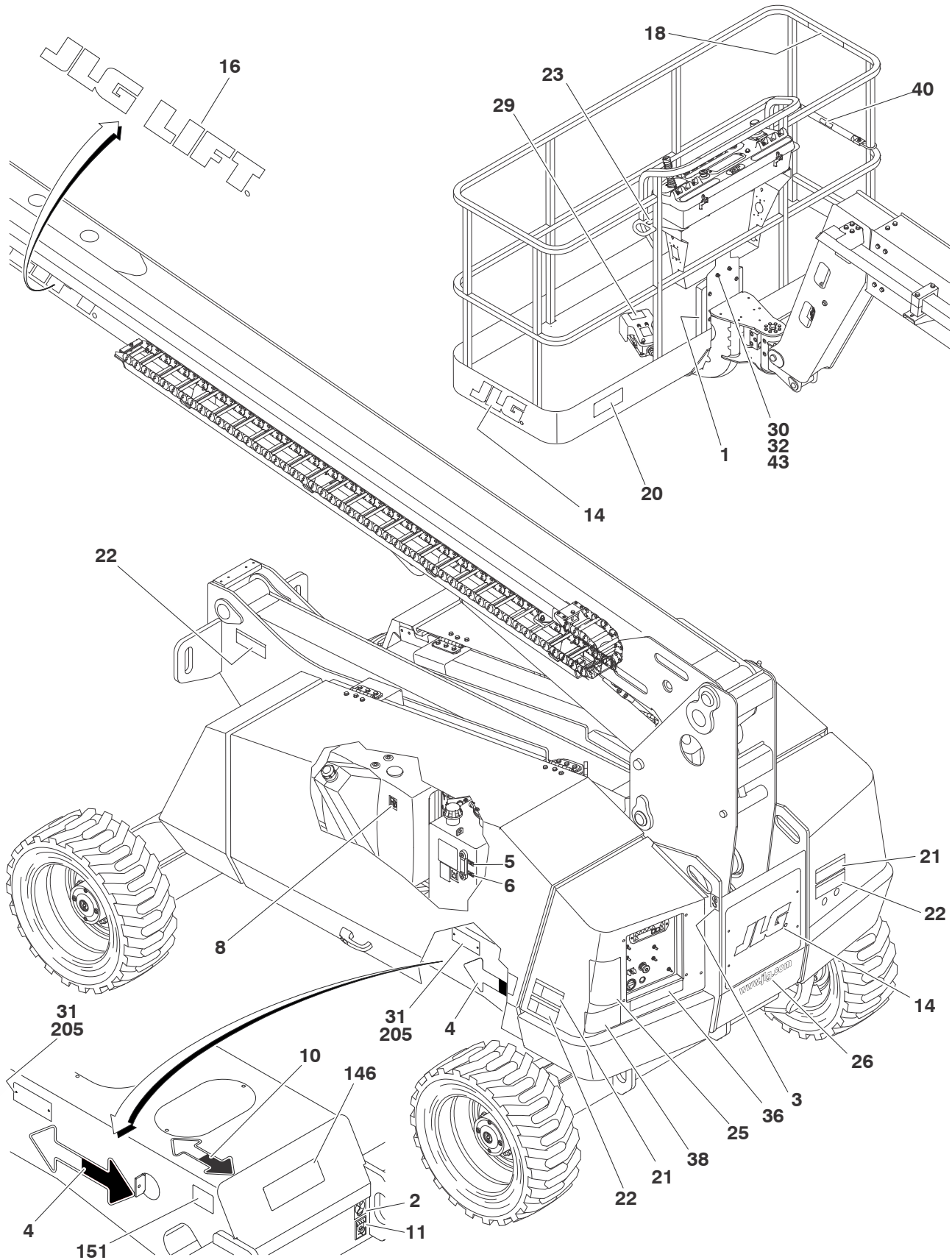
FIGURE 7-2. HARNESS COMPONENTS INSTALLATION (CONTINUED)

ITEM #	PART NUMBER	QTY.	DESCRIPTION	REV.
		Ref	TOOLS (NOT SHOWN)	
801	7002821	1	Crimper (For Wire to Pin/Socket Connections)	
802	7002823	1	Extractor (For Removal of Pin/Socket from Connectors)	
	4460467	1	Extractor, Pin (Blue 16-18 Gauge) (For Removal of Pin/Socket from Connectors)	
	4460510	1	Extractor, Pin (Yellow 12-14 Gauge) (For Removal of Pin/Socket from Connectors)	
803	7002828	1	Stripper, Wire	
804	2901443	1	Analyzer Kit	
	1600244	1	Analyzer	
804A	1060633	1	Cable, Analyzer	1/A
804B	4460321	2	Plug, Male	
	4460226	8	Socket, Female	
805	1001137005	1	Software Cable Kit	

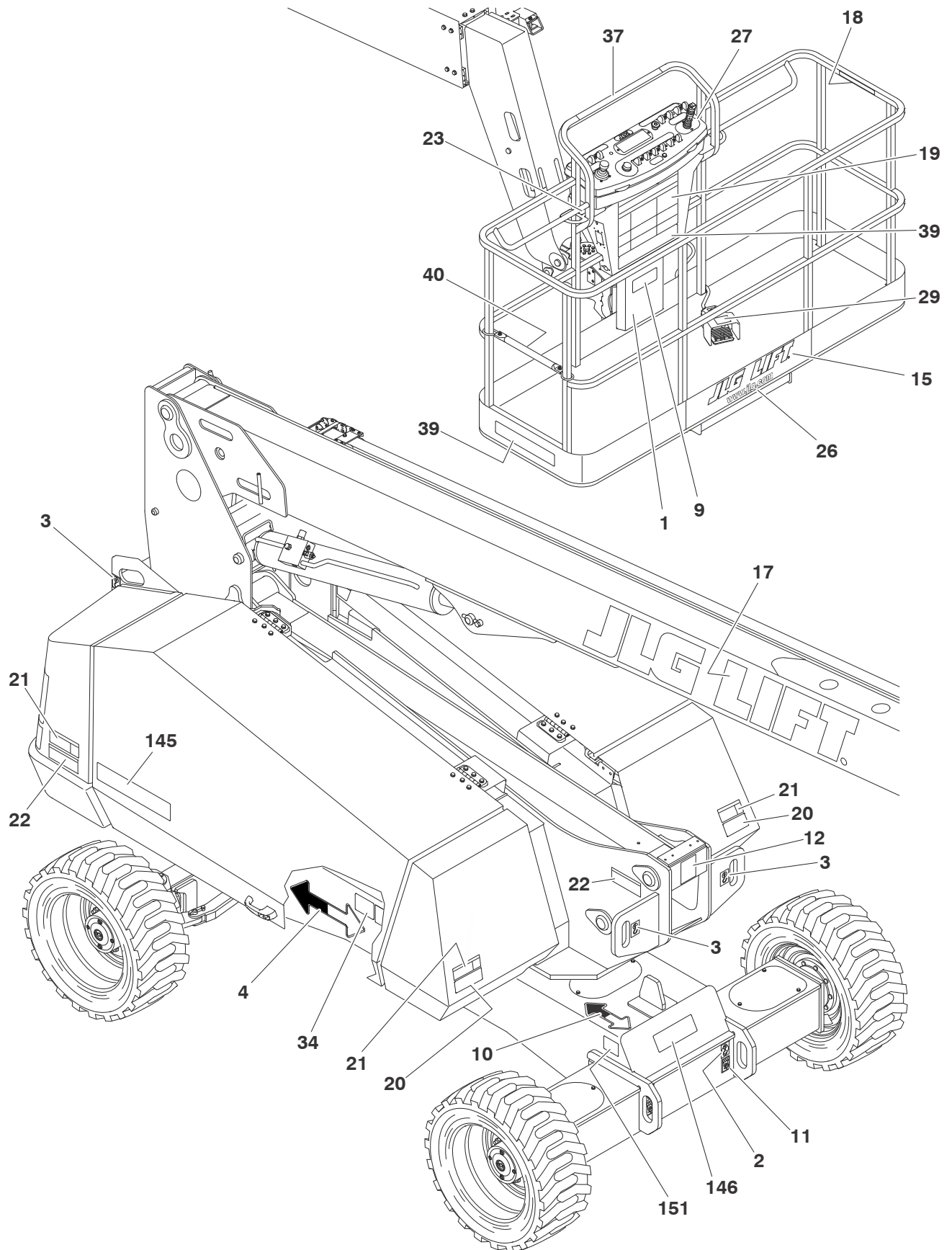
SECTION 8 DECALS

SECTION 8 DECALS

FIGURE 8-1. DECAL INSTALLATION



SECTION 8 DECALS



SECTION 8 DECALS

FIGURE 8-1. DECAL INSTALLATION

ITEM #	PART NUMBER	QTY.	DESCRIPTION	REV.
		Ref	STANDARD DECAL INSTALLATION	
	1001139024	Ref	ANSI Spec (English Language)	C
	1001139028	Ref	Brazilian Decals (Dual Language Portuguese/English)	C
	1001139027	Ref	Chinese Decals (Dual Language Chinese/English)	D
	1001139031	Ref	Japanese Decals (Dual Language Japanese/English)	C
	1001139026	Ref	Korean Decals (Dual Language Korean/English)	C
	1001139029	Ref	Latin American Decals (Dual Language English/Spanish)	C
1	0860520	1	Box, Manual Storage	
2	1701499	4	Decal - No Tie Down /Lift	
3	1701500	4	Decal - Tie Down /Lift	
4	1701501	2	Decal - Arrow	
5	1701502	1	Decal - High Oil Level	
6	1701503	1	Decal - Low Oil Level	
7	Not Used			
8	1701505	1	Decal - Fuel	
9	1701509	1	Decal - Manual	
10	1701529	2	Decal - Arrow	
11	1702300	4	Decal - Tie Down /Lift	
12		1	Decal - Crushing Hazard Options:	
	1702391		ANSI Spec (English Language)	
	1702391		Brazilian Decals (Dual Language Portuguese/English)	
	1001113168		Chinese Decals (Dual Language Chinese/English)	
	1001113166		Japanese Decals (Dual Language Japanese/English)	
	1001113509		Korean Decals (Dual Language Korean/English)	
	1001113171		Latin American Decals (Dual Language English/Spanish)	
13	Not Used			
14	1702773	2	Decal - JLG (5in)	
15	1702774	1	Decal - JLG Lift (3in)	
16	1702861	1	Decal - JLG Lift (8in)	
17	1702862	1	Decal - JLG Lift (12in)	
18		2	Decal - No Hands Options:	
	1702868		ANSI Spec (English Language)	
	1705967		Brazilian Decals (Dual Language Portuguese/English)	
	1705968		Chinese Decals (Dual Language Chinese/English)	
	Not Required		Japanese Decals (Dual Language Japanese/English)	
	1705969		Korean Decals (Dual Language Korean/English)	
	1704001		Latin American Decals (Dual Language English/Spanish)	
19		1	Decal - Danger/Warning Options:	
	1703797		ANSI Spec (English Language)	
	1705895		Brazilian Decals (Dual Language Portuguese/English)	
	1703925		Chinese Decals (Dual Language Chinese/English)	
	1703926		Japanese Decals (Dual Language Japanese/English)	
	1703927		Korean Decals (Dual Language Korean/English)	
	1703923		Latin American Decals (Dual Language English/Spanish)	

SECTION 8 DECALS

FIGURE 8-1. DECAL INSTALLATION (CONTINUED)

ITEM #	PART NUMBER	QTY.	DESCRIPTION	REV.
20	1703804 1705898 1703949 1703950 1703951 1703947	4	Decal - Warning/Crushing Options: ANSI Spec (English Language) Brazilian Decals (Dual Language Portuguese/English) Chinese Decals (Dual Language Chinese/English) Japanese Decals (Dual Language Japanese/English) Korean Decals (Dual Language Korean/English) Latin American Decals (Dual Language English/Spanish)	
21	1703805 1705897 1703937 1703938 1703939 1703935	5	Decal - Danger/Electrocution options: ANSI Spec (English Language) Brazilian Decals (Dual Language Portuguese/English) Chinese Decals (Dual Language Chinese/English) Japanese Decals (Dual Language Japanese/English) Korean Decals (Dual Language Korean/English) Latin American Decals (Dual Language English/Spanish)	
22	1703953 1705903 1703943 1703944 1703945 1703941	5	Decal - Warning/Crushing Options: ANSI Spec (English Language) Brazilian Decals (Dual Language Portuguese/English) Chinese Decals (Dual Language Chinese/English) Japanese Decals (Dual Language Japanese/English) Korean Decals (Dual Language Korean/English) Latin American Decals (Dual Language English/Spanish)	
23	1704277	2	Decal - Attach Lanyard Here	
24	1704412	1	Decal - Hydraulic Fluid	
25	1704575 1705896 1001116849 1705344 1705345 1705917	1	Decal - Danger/Warning Options: ANSI Spec (English Language) Brazilian Decals (Dual Language Portuguese/English) Chinese Decals (Dual Language Chinese/English) Japanese Decals (Dual Language Japanese/English) Korean Decals (Dual Language Korean/English) Latin American Decals (Dual Language English/Spanish)	
26	1704885	2	Decal - Website	
27	1705351 1705905 1705351 1705426 1705427 1705910	1	Decal - Drive/Steer Options: ANSI Spec (English Language) Brazilian Decals (Dual Language Portuguese/English) Chinese Decals (Dual Language Chinese/English) Japanese Decals (Dual Language Japanese/English) Korean Decals (Dual Language Korean/English) Latin American Decals (Dual Language English/Spanish)	
28	Not Used			
29	3252347 1705902 1703982 1703980 1703981 1703983	1	Decal - Footswitch Options: ANSI Spec (English Language) Brazilian Decals (Dual Language Portuguese/English) Chinese Decals (Dual Language Chinese/English) Japanese Decals (Dual Language Japanese/English) Korean Decals (Dual Language Korean/English) Latin American Decals (Dual Language English/Spanish)	
30	3311405	4	Locknut 1/4in-20NC	
31	3820001	2	Rivet	
32	4751400	4	Flatwasher 1/4in Regular	

SECTION 8 DECALS

FIGURE 8-1. DECAL INSTALLATION (CONTINUED)

ITEM #	PART NUMBER	QTY.	DESCRIPTION	REV.
33	Not Used			
34	1001131269	1	Decal - Patent	
35	Not Used			
36	1001140402	1	Decal - Legend (Ground Controls)	
37	1001140403	1	Decal - Legend (Platform)	
38		1	Decal - Warning/Maximum Capacity Options:	
	1001140405		ANSI Spec (English Language)	
	1001121923		Brazilian Decals (Dual Language Portuguese/English)	
	1001121823		Chinese Decals (Dual Language Chinese/English)	
	1001121821		Japanese Decals (Dual Language Japanese/English)	
	1001121921		Korean Decals (Dual Language Korean/English)	
	1001121818		Latin American Decals (Dual Language English/Spanish)	
39		2	Decal - Warning/Maximum Capacity Options:	
	1001140406		ANSI Spec (English Language)	
	1001121920		Brazilian Decals (Dual Language Portuguese/English)	
	1001121810		Chinese Decals (Dual Language Chinese/English)	
	1001121808		Japanese Decals (Dual Language Japanese/English)	
	1001121918		Korean Decals (Dual Language Korean/English)	
	1001121805		Latin American Decals (Dual Language English/Spanish)	
40	1001140429	1	Decal - Drop Bar	
41 to 42	Not Used			
43	0641406	4	Bolt 1/4in-20NC x 3/4in	
44	Not Used			
45		1	Decal - Warning/Explosive/Fire Options (Not Shown - Located on Fan Shroud in Engine Compartment):	
	1704972		ANSI Spec (English Language)	
	1706059		Brazilian Decals (Dual Language Portuguese/English)	
	1706060		Chinese Decals (Dual Language Chinese/English)	
	1706062		Japanese Decals (Dual Language Japanese/English)	
	1706061		Korean Decals (Dual Language Korean/English)	
	1706063		Latin American Decals (Dual Language English/Spanish)	
	1001135051	Ref	DECALS INSTALLATION	
101 to 144	Not Used			
145	10011400398	2	Decal - 18RS Model Designation	
146	1001140719	2	Decal - Lift Diagram	
147 to 150	Not Used			
151	1001144131	4	Decal - Tire Load	
152 to 204	Not Used			
205	See Note	1	Nameplate - Serial Number (Note: Not Available for Purchase)	

SECTION 9 RECOMMENDED SERVICE PARTS STOCK

MODEL 18RS

The following list will service one machine (built to current production per date on the front cover) with emergency repair parts which can be installed in the field. Parts from the list should be replaced when inventory is depleted to keep service parts stock supplied. For further information, contact your JLG dealer or the JLG Industries Parts Department.

Part Number	Description	Qty./Machine
STANDARD PARTS		
70002386	Coil (Figure 1-5 & 2-2)	1
70003545	Element, Filter (Figure 2-1)	1
70002231	Element, Filter (Figure 2-1)	1
70003788	Coil (Figure 2-2)	1
7012664	Element, Air Cleaner (Figure 2-6)	1
3740067	Coil (Figure 2-6)	1
7016331	Filter, Oil Element (Figure 2-6)	1
7027245	Filter, Fuel (Figure 2-6)	1
70003614	Element/Breather Kit (Fig 2-9)	1
4360328	Switch, Toggle (Figure 2-10 & 4-2)	1
4360475	Switch, Mushroom (Figure 2-10 & 4-2)	1
4360476	Contact, Switch Block (Figure 2-10 & 4-2)	1
4360469	Switch, Key (Figure 2-10)	1
2860030	Key, Replacement (Figure 2-10)	1
3740080	Relay (Figure 2-11)	1
70004073	Carrier Repair Section (Figure 3-2)	1
1001129555	Controller (Lift and Swing) (Figure 4-2)	1
1001118416	Controller (Drive and Steer) (Figure 4-2)	1
4360330	Switch, Toggle (Figure 4-2)	1
4360387	Switch, Push Button (Figure 4-2)	1
4360407	Control, Speed (Figure 4-2)	1
4360331	Switch, Toggle (Figure 4-2)	1
70003788	Coil (Figure 5-2)	1
260305	Fuse 5A (Figure 7-2)	2
70020199	Diode (Figure 7-2)	2
2400065	Fuse 30A (Figure 7-2)	2
2400064	Fuse 5A (Figure 7-2)	2
1001118282	Relay (Figure 7-2)	1
VARIABLE PARTS		
7027795	Module, Engine Control (Figure 2-6)	1
70004066	Filter, Fuel-Water Separator (Figure 2-9)	1
4360514	Switch, Proximity (Figure 2-10)	1
1001145548	Switch, Limit (Figure 2-9)	1
1001120431	Module, Ground Control (Figure 2-12)	1
1001150772	Sensor/Switch, Proximity (Figure 3-2)	1
1001118412	Module, Platform Control (Figure 4-2)	1

SECTION 9 RECOMMENDED SERVICE PARTS STOCK

MODEL 18RS

The following list will service one machine (built to current production per date on the front cover) with emergency repair parts which can be installed in the field. Parts from the list should be replaced when inventory is depleted to keep service parts stock supplied. For further information, contact your JLG dealer or the JLG Industries Parts Department.

Part Number	Description	Qty./Machine

SECTION 10 SPECIAL OPTIONS

Note: This list is to accommodate machines ordered with special equipment. Options may not be applicable to all models. For more specific parts information contact JLG Parts Department.

FIG&ITEM#	PART NUMBER	QTY.	DESCRIPTION	REV.
		Ref	MISCELLANEOUS SPECIAL OPTIONS	
	1001139022	Ref	Air Line at Platform Installations	
		Ref	ClearSky Telematic Installation	
		Ref	Note: Refer to Manual Supplement p/n 3128499 for available replacement parts.	
	1001140732	Ref	Brazil Spec	
	See Note	Ref	All Other Specs (Note: Not Available)	
	1001143279	Ref	Container Transport Wheels Installation	
		Ref	Decal Installations	
	1001140725	Ref	Decal - ClearSky	
	1001143681	Ref	Decal - SkyPower 50Hz	
	1001146382	Ref	Decal - SkyPower 60Hz	
	1001143672	Ref	Decal - SkyWelder 50Hz	
	1001146373	Ref	Decal - SkyWelder 60Hz	
	1702962	Ref	Decal - Warning Proposition 65	
		Ref	Electrical Connector Kits	
	1001148902	Ref	Amp Connector Kit	
	1001148903	Ref	Deutsch DT Connector Kit	
	1001148904	Ref	Deutsch HD Connector Kit	
	1001148905	Ref	Packard Connector Kit	
	1001148906	Ref	Various Connector Kit	
		Ref	Fluids	
	3020029	Ref	Grease, Bearing (Axle Spindles)	
	2300014	Ref	Hydraulic Fluid - Mobil 424	
	3020016	Ref	Motor Oil	
	1001145713	Ref	Ground Control Cover Installation	
	1001148971	Ref	Lanyard (Bolt-On) Kit (Platform)	
	0274661	Ref	Pipe Racks Installation	
		Ref	Platform Entry Kits	
	1001142504	Ref	Drop Bar (Replacing Swing Gate with Drop Bar)	
	1001142505	Ref	Swing Gate (Replacing Drop Bar with Swing Gate)	

SECTION 10 SPECIAL OPTIONS

Note: This list is to accommodate machines ordered with special equipment. Options may not be applicable to all models. For more specific parts information contact JLG Parts Department.

FIG&ITEM#	PART NUMBER	QTY.	DESCRIPTION	REV.
		Ref	SkyAccessories Options	
		Ref	Note: Refer to Manual Supplement p/n 3124242 for available replacement parts.	
		Ref	SkyPower Options	
	1001141957	Ref	7500W 50Hz Generator	
	1001141956	Ref	7500W 60Hz Generator (Not Available in Japan)	
		Ref	SkyWelder Options	
	0272521	Ref	7500W 50Hz Welder	
	0242254	Ref	7500W 60Hz Welder (Not Available in Japan)	
		Ref	Tools for Service	
	2901443	Ref	Analyzer Kit	
	8896941	Ref	Wire Stripper	
	7002821	Ref	Wire Crimper (To install wire ends to wires)	
	7002823	Ref	Pin/Socket Extractor - Universal (To Remove Pins/Sockets from Connectors)	
	4460467	Ref	Extractor - 16-18 Gauge (For Removal of Pin/Sockets from Deutsch Connectors)	
	4460510	Ref	Extractor - 12-14 Gauge (For Removal of Pin/Sockets from Deutsch Connectors)	
	7002822	Ref	Screwdriver, Potentiometer (To Adjust Drive Controllers)	
	7016654	Ref	Screwdriver, Magnetic	
	7004275	Ref	Seal Installation Tool - 1in	
	7004276	Ref	Seal Installation Tool - 1-1/2in	
	7002826	Ref	Seal Installation Tool - 2in	
	7016655	Ref	Wire Rope Sheave Gauge	
	1001137005	Ref	Software Cable Kit	

SECTION 11 PART NUMBER INDEX

Part Number	Page	Part Number	Page	Part Number	Page	Part Number	Page
0080163	2-18	0760820	3-9	1001119020	7-10	1001134010	3-4
0100009	4-5	0760823	3-8	1001119455	6-7	1001134067	7-8
0100011	1-3, 1-5, 1-11, 2-3, 2-16, 2-17, 2-29, 2-36, 3-4, 3-5, 3- 8, 3-9, 3-13, 5- 11	0761009	3-8	1001119627	6-5	1001134069	2-9
0100019	1-5, 2-9, 2-31, 3-4	0761010	1-3, 2-3, 3-8	1001120092	2-31	1001134172	3-4
0100020	2-16, 2-25	0761011	3-8	1001120431	2-33, 9-1	1001134194	1-5
0100048	4-5, 7-6	0761012	1-11, 2-3, 2-18, 2- 36, 3-4, 3-13	1001121172	2-33, 7-10	1001134195	1-5
0100081	4-5	0761014	2-16, 2-19, 2-25, 2- 36	1001121805	8-6	1001134196	1-5
0140011	4-5	0761015	2-17, 2-36, 3-4, 4-3	1001121808	8-6	1001134197	1-5
0140043	2-33, 7-8	0761016	2-16, 2-29	1001121810	8-6	1001134289	1-3
0242254	10-2	0761032	3-8	1001121818	8-6	1001134293	4-3
0256847	2-18	0761216	3-13	1001121821	8-6	1001134767	2-16, 2-33
0272521	10-2	0761217	2-16	1001121823	8-6	1001134790	2-31
0272970	4-3, 7-6	0761229	3-5	1001121918	8-6	1001134791	2-29, 2-31
0274661	10-1	0761615	3-4	1001121920	8-6	1001134830	2-29, 2-33
0340041	2-17	0762014	1-3	1001121921	8-6	1001134979	2-36
0400003	2-19	0762016	3-4	1001121923	8-6	1001134980	2-37
0440162	2-16	0771012	3-13	1001128128	7-9	1001134982	2-36
0630535	5-11	0860038	7-12, 7-13	1001129238	7-2	1001134983	2-37
0630563	2-36	0860520	8-4	1001129555	4-5, 4-9, 9-1	1001134994	1-11
0630568	4-6	0861441	4-5, 4-6	1001130477	1-3, 5-9	1001135051	8-6
0641404	4-5	0861567	7-13	1001130478	3-4, 5-7	1001135196	2-16
0641406	8-6	0902571	4-5	1001130480	5-5	1001135488	3-8
0641408	2-36	0940071	2-36	1001130651	2-36	1001135506	7-9
0641606	5-11	0961902	5-11	1001130688	3-8	1001135697	3-8
0641813	2-16	0961951	2-18, 5-7	1001131168	4-6	1001136173	2-26
0682012	1-5	0962297	3-4, 3-5, 3-8	1001131269	8-6	1001136223	3-8
0700614	2-16	1001091102	2-29	1001131499	6-10	1001136242	3-9
0700615	2-36	1001091179	2-17	1001131564	2-17	1001136300	2-25
0700617	4-5	1001092723	2-17, 2-18	1001131565	2-17	1001136331	3-9
0700619	2-33	1001098827	3-13	1001131568	2-18	1001136398	3-9
0700810	2-18	1001099125	2-31	1001131748	3-4	1001136400	3-9
0700812	1-11	1001104850	2-9, 2-11	1001131788	1-3	1001136402	3-9
0700828	3-9	1001106736	2-33, 7-8, 7-10	1001132163	3-4, 5-3	1001136407	3-9
0701013	3-8	1001107952	4-6	1001132195	2-18	1001136461	3-9
0701018	2-25, 3-4	1001109503	2-31	1001132196	2-18	1001136469	3-9
0701024	2-25, 3-8	1001109503	2-31	1001132197	2-18	1001136478	3-8
0701216	3-4	1001110434	4-5, 7-6	1001132232	2-25	1001136481	3-8
0711221	2-17	1001110873	7-12, 7-13	1001132275	3-4, 3-11	1001136557	3-4, 3-8
0711231	1-3	10011112612	2-33, 7-8, 7-10	1001132296	2-3	1001136571	3-8
0711414	2-17	1001112612	2-33, 7-8, 7-10	1001132299	2-3	1001136575	3-8
0711620	1-3	1001113166	8-4	1001132303	2-3, 2-5	1001136583	3-8
0711628	2-9	1001113168	8-4	1001132305	2-16, 2-22	1001136587	3-8
0711630	2-9	1001113168	8-4	1001132306	2-17	1001136590	3-8
0712444	3-13	1001113171	8-4	1001132499	1-5, 1-9	1001136592	3-8
0760410	2-29	1001113509	8-4	1001132500	1-5, 1-7	1001137005	7-14, 10-2
0760608	2-31	1001113961	4-11, 7-6, 7-10	1001132511	7-8, 7-9	1001137032	3-4
0760610	2-18, 2-33	1001115672	3-4	1001132519	1-5	1001137435	2-25
0760612	2-16, 4-3	1001116728	7-10	1001132556	7-8, 7-11	1001137908	2-29, 3-9, 7-8
0760614	4-3	1001116732	7-9	1001133245	5-11	1001138040	2-36
0760807	3-9	1001116733	7-10	1001133308	1-5	1001138042	2-16
0760808	2-36	1001116734	7-9, 7-10	1001133308	1-5	1001138243	2-36
0760810	4-3	1001116813	7-11	1001133419	1-3	1001138436	3-8
0760812	2-29	1001116849	8-5	1001133423	4-3	1001138459	3-4
0760814	2-31, 2-36, 3-9	1001117057	7-10	1001133602	4-3, 4-5, 7-6	1001138511	7-7
0760815	2-17	1001117320	4-3	1001133752	7-6	1001138512	7-12
		1001118274	1-11	1001133881	2-31	1001138722	2-36, 2-37
		1001118282	7-9, 9-1	1001133907	1-11, 2-3	1001138748	2-36, 2-37
		1001118412	4-6, 9-1	1001133909	1-11	1001138778	3-4
		1001118416	4-5, 4-11, 9-1	1001133911	1-11	1001138828	3-4
		1001118417	4-5, 4-9	1001133972	2-9, 2-13	1001138865	3-4

SECTION 11 PART NUMBER INDEX

Part Number	Page	Part Number	Page	Part Number	Page	Part Number	Page
1001139014	1-5	1001143501	6-9	1001146325	6-3	10837580	2-5
1001139015	2-29	1001143517	6-9	1001146326	6-3	1320016	2-17
1001139017	6-9	1001143602	6-5	1001146328	6-5	1320022	2-16, 2-25
1001139019	2-19	1001143672	10-1	1001146332	6-5	1320176	2-17
1001139022	10-1	1001143680	1-12, 3-5, 6-3, 6-5, 6-7, 6-10	1001146333	6-5	1321385	2-16
1001139023	2-29			1001146334	6-5	1340060	2-17
1001139024	8-4	1001143681	10-1	1001146335	6-5	1600244	7-14
1001139026	8-4	1001143683	2-36	1001146373	10-1	1660234	2-18
1001139027	8-4	1001143684	2-36	1001146382	10-1	1670829	2-31
1001139028	8-4	1001143713	3-8	1001146391	6-9	1671092	7-8, 7-13
1001139029	8-4	1001143723	2-36	1001146392	6-9	1671093	7-8
1001139031	8-4	1001143936	6-3	1001146991	2-25	1671176	4-5
1001139032	3-13	1001143955	3-5	1001147054	2-31	1683905	5-11
1001139078	3-9	1001144131	8-6	1001147055	2-31	1683907	5-11
1001139180	2-36	1001144270	6-7	1001148387	2-29	1684008	5-11
1001139384	2-37	1001144273	6-7	1001148425	1-3	1701499	8-4
1001139388	2-18	1001144274	6-7	1001148430	1-3	1701500	8-4
1001139409	2-17	1001144275	6-7	1001148482	1-3	1701501	8-4
100113951	2-19	1001144279	6-7	1001148486	1-3	1701502	8-4
1001139521	2-36	1001144280	6-7	1001148537	1-3	1701503	8-4
1001139522	2-36	1001144281	6-7	1001148538	1-3	1701505	8-4
1001139528	2-36	1001144282	6-7	1001148540	1-3	1701509	8-4
1001139531	2-36	1001144284	6-7	1001148610	1-3	1701529	8-4
1001139532	2-36	1001144285	6-7	1001148892	3-5	1702300	8-4
1001139533	2-36	1001144325	2-16	1001148902	10-1	1702391	8-4
1001139534	2-36	1001144445	3-13, 7-7	1001148903	10-1	1702565	4-5
1001139628	2-18, 7-11	1001144548	2-18	1001148904	10-1	1702566	4-5
10011400398	8-6	1001144655	1-5	1001148905	10-1	1702567	4-5
1001140252	2-19	1001145002	6-9	1001148906	10-1	1702676	4-5
1001140402	8-6	1001145004	1-11	1001148971	10-1	1702773	8-4
1001140403	8-6	1001145202	3-8	1001149160	2-29	1702774	8-4
1001140405	8-6	1001145439	4-3	1001149734	3-13	1702861	8-4
1001140406	8-6	1001145465	3-5	1001149749	2-31	1702862	8-4
1001140429	8-6	1001145548	2-29, 9-1	1001149866	1-11	1702868	8-4
1001140605	2-18, 7-11	1001145713	2-31, 10-1	1001149922	3-9	1702962	10-1
1001140710	2-29	1001145874	7-9	1001150601	2-16	1703162	2-17
1001140719	8-6	1001145918	7-7	1001150645	5-11	1703797	8-4
1001140725	10-1	1001145919	7-8	1001150646	3-8, 5-11	1703804	8-5
1001140732	10-1	1001145920	7-8	1001150756	2-16	1703805	8-5
1001140733	2-31	1001145921	7-8	1001150772	3-9, 7-9, 9-1	1703923	8-4
1001141014	6-3	1001145922	7-8	1001150998	2-17	1703925	8-4
1001141075	2-29	1001145923	7-8	1001151250	2-31	1703926	8-4
1001141216	2-16	1001145950	7-2, 7-13	1001151521	7-9	1703927	8-4
1001141250	2-17	1001146299	3-5	1001151894	6-5	1703935	8-5
1001141373	6-9	1001146307	6-9	1001152155	6-3	1703937	8-5
1001141620	7-12	1001146308	6-9	1001152170	6-5	1703938	8-5
1001141621	7-12	1001146310	6-9	1001153398	3-8	1703939	8-5
1001141622	7-12	1001146311	6-9	1001153787	3-5	1703941	8-5
1001141956	7-13, 10-2	1001146312	6-9	1001153788	3-5	1703943	8-5
1001141957	7-13, 10-2	1001146313	6-9	1001155441	3-5	1703944	8-5
1001142246	6-9	1001146315	6-9	1001155455	3-5	1703945	8-5
1001142504	10-1	1001146316	6-3	1001155744	2-9	1703947	8-5
1001142505	10-1	1001146317	6-3	1001156545	2-17	1703949	8-5
1001142574	3-13, 7-7	1001146319	6-3	1001157442	2-16	1703950	8-5
1001142679	6-3	1001146320	6-3	1001159284	7-9	1703951	8-5
1001143279	10-1	1001146321	6-3	1060343	7-13	1703953	8-5
1001143340	2-36	1001146322	6-3	1060494	7-13	1703980	8-5
1001143417	2-36	1001146323	6-5	1060633	7-14	1703981	8-5
1001143446	2-36	1001146324	6-3	1060918	4-3, 7-6	1703982	8-5

SECTION 11 PART NUMBER INDEX

Part Number	Page	Part Number	Page	Part Number	Page	Part Number	Page
1703983	8-5	2220497	6-9	3290801	2-31	4360330	4-5, 9-1
1704001	8-4	2220500	6-7	3290805	2-17, 2-29, 2-36, 3-8, 4-3	4360331	4-6, 9-1
1704260	4-5	2220502	6-5	3291001	2-19	4360336	7-13
1704277	8-5	2220602	6-5	3291005	2-16, 2-17, 2-25, 2-29, 2-36, 3-4, 3-8, 4-3	4360387	4-5, 9-1
1704412	8-5	2220603	6-5, 6-7, 6-9	3291205	1-3, 2-16, 3-4, 3-5, 3-13	4360407	4-5, 9-1
1704575	8-5	2220605	6-3	3300106	1-5	4360469	2-31, 9-1
1704885	8-5	2220671	6-7	3311005	4-5	4360475	2-31, 4-5, 9-1
1704972	2-16, 8-6	2220689	6-9	3311405	8-5	4360476	2-31, 4-5, 9-1
1705132	4-5	2220819	6-7	3311601	4-6	4360514	2-29, 7-8, 9-1
1705344	8-5	2220861	6-3	3331211	2-17	4460071	7-6, 7-12, 7-13
1705345	8-5	2220865	6-9	3340880	5-11	4460125	7-12
1705351	8-5	2220883	5-11	3391408	2-16	4460134	7-8
1705426	8-5	2220885	5-5	3422578	3-4	4460205	7-8, 7-12
1705427	8-5	2220886	6-9	3422582	3-4	4460224	7-6
1705895	8-4	2220906	6-9	3422813	1-3	4460225	7-7, 7-13
1705896	8-5	2220947	6-7	3422913	3-4	4460226	7-6, 7-7, 7-11, 7-13, 7-14
1705897	8-5	2220950	6-7	3423061	3-4	4460227	7-7, 7-8, 7-9
1705898	8-5	2221041	6-3	3423061	3-4	4460233	7-12
1705902	8-5	2221086	6-9	3470003	4-6	4460234	4-5
1705903	8-5	2300014	10-1	3480257	5-11	4460268	7-6
1705905	8-5	2400060	7-9, 7-11	3520054	2-17, 4-6	4460320	7-11
1705910	8-5	2400064	7-9, 7-11, 9-1	3520189	7-13	4460321	7-14
1705917	8-5	2400065	7-10, 9-1	3520192	7-13	4460326	7-7
1705967	8-4	2400066	7-10	3641585	4-3	4460346	7-12, 7-13
1705968	8-4	2560136	4-5	3740067	2-17, 9-1	4460418	7-7, 7-9
1705969	8-4	2560187	2-37	3740080	2-33, 9-1	4460419	7-7, 7-9
1706059	2-16, 8-6	260305	7-10, 9-1	3760115	3-5	4460424	7-8
1706060	2-16, 8-6	2720058	2-16	3760133	3-8	4460425	7-13
1706061	2-16, 8-6	2720398	2-17	3760105	2-31	4460426	7-13
1706062	2-16, 8-6	2720447	2-18	2760105	2-31	4460428	4-5, 7-6
1706063	2-16, 8-6	2760105	2-31	2820031	7-7, 7-8, 7-13	4460434	7-7
1706712	2-31	2820031	7-7, 7-8, 7-13	2860030	2-31, 9-1	4460464	7-6, 7-7, 7-8, 7-9, 7-10, 7-11, 7-12
2000216	2-18, 2-19	2860030	2-31, 9-1	2900707	2-5	4460465	7-7, 7-8, 7-9, 7-10, 7-11, 7-12
2060025	2-17	2900707	2-5	2900708	2-6	4460466	7-6, 7-7, 7-8, 7-10, 7-11
2080040	2-31	2900770	5-3	2901443	7-14, 10-2	4460467	7-14, 10-2
2111010	6-3, 6-5	2901443	7-14, 10-2	2902019	5-11	4460470	4-5, 7-6
2111212	6-3	2902019	5-11	2902443	7-11	4460471	4-5, 7-6
2111616	6-3	2902443	7-11	2920129	7-9	4460473	7-7, 7-8
2130404	6-5	2920129	7-9	2920154	4-5	4460488	4-5
2131616	6-3	2920154	4-5	2920161	2-29, 7-12	4460496	2-33, 7-8, 7-10
2151212	6-5	2920161	2-29, 7-12	2940045	2-31	4460497	2-33, 7-8, 7-10
2160001	2-9	2940045	2-31	2940173	2-37	4460508	7-6, 7-7, 7-10
2160016	1-3	2940173	2-37	3020016	2-17, 10-1	4460509	7-7, 7-8
2172116	6-3	3020016	2-17, 10-1	3020021	2-18	4460510	7-14, 10-2
2180348	2-16	3020021	2-18	3020029	1-3, 10-1	4460536	7-7, 7-8, 7-9, 7-10, 7-11
2180876	2-16, 2-26	3020029	1-3, 10-1	3200406	2-17	4460539	7-7, 7-9, 7-10
220885	5-11	3200406	2-17	3251243	7-12	4460634	7-9
2220366	6-9	3251243	7-12	3252347	4-3, 8-5	4460635	7-9
2220371	6-3, 6-5	3252347	4-3, 8-5	3252507	7-12	4460708	4-6, 7-6
2220372	6-9	3252507	7-12	3252764	7-13	4460761	7-7, 7-9
2220373	6-3, 6-7	3252764	7-13	3271501	2-36	4460836	7-10
2220374	6-7, 6-9	3271501	2-36	3271601	2-36	4460837	7-10
2220377	6-9	3271601	2-36	3290405	2-29	4460851	7-8
2220415	6-3, 6-7	3290405	2-29	3290505	2-31	4460865	7-7, 7-8
2220451	2-17, 6-9	3290505	2-31	3290605	2-16, 2-17, 2-29, 2-33, 3-8, 4-3		
2220466	6-5	3290605	2-16, 2-17, 2-29, 2-33, 3-8, 4-3	3290607	2-31		
2220472	6-5, 6-7						
2220473	6-7, 6-9						
2220479	6-9						

SECTION 11 PART NUMBER INDEX

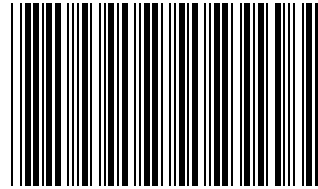
Part Number	Page	Part Number	Page	Part Number	Page	Part Number	Page
4460866	7-6, 7-7, 7-10		2-36, 2-37, 3-4, 3-8, 3-13	70002180	2-22	70003948	3-11
4460868	7-10			70002181	2-22	70003957	1-11
4460871	4-9, 4-11, 7-6, 7-8, 7-9, 7-10	4812002	2-25, 4-3	70002182	2-22	70003958	1-11
4460872	7-9	4812100	1-3, 3-4, 3-5	70002185	2-22	70003959	1-11
4460873	7-6, 7-10	4812102	2-16	70002186	2-22	70003960	1-11
4460874	7-6, 7-9	4812200	2-17	70002187	2-22	70003961	2-5
4460875	7-6, 7-8	4812300	1-3	70002188	2-22	70003963	2-5
4460876	7-9	4831900	2-18	70002189	2-22	70003968	2-5
4460877	7-10	4845395	2-17	70002191	2-22	70003970	2-5
4460878	7-9	4891800	2-16	70002192	2-22	70003971	2-5
4460879	7-7	4892000	1-5	70002200	2-18	70003974	2-6
4460884	7-10	4922641	7-13	70002206	2-11	70003975	2-6
4460887	7-7, 7-9	4922925	7-13	70002207	2-11	70003976	2-5
4460891	7-7, 7-8, 7-9, 7-11, 7-12	4923451	2-17, 7-11	70002209	1-11	70003977	2-6
4460894	7-10	5241000	3-13	70002231	2-3, 9-1	70003978	2-6
4460897	7-7, 7-12	5241200	2-9, 3-13	70002386	1-11, 2-6, 9-1	70003980	1-11
4460899	7-11	5241600	2-9	70002388	5-3	70003981	1-11
4460905	4-6, 7-6, 7-9, 7-10	5242400	3-13	70002401	2-6, 5-5	70003982	5-11
4460930	7-11	5272114	2-9	70002413	5-3	70004017	1-11
4460931	7-11	70000088	2-11	70002601	2-21	70004018	1-11
4460932	7-9	70000089	2-11	70002603	2-21	70004021	2-21
4460933	7-10	70000341	3-11	70002604	2-21	70004022	2-21
4460942	7-10	700003949	3-11	70002649	2-13	70004024	2-21
4460943	7-6, 7-7, 7-11	70000781	1-11	70002651	2-13	70004025	2-21
4460944	7-7, 7-8, 7-10	70000865	2-13	70002724	4-11	70004026	2-22
4460959	7-8	70001697	3-11	70002725	4-11	70004027	2-21
4460960	7-8	70001872	7-12	70002726	4-11	70004028	2-21
4460963	7-13	70001958	2-22	70002727	4-11	70004063	2-26
4460967	7-11	70002132	2-21, 2-22	70002728	4-11	70004064	2-26
4461005	7-11	70002133	2-21	70002729	4-11	70004065	2-26
4461006	7-11	70002134	2-21	70002730	4-9	70004066	2-26, 9-1
4461008	7-11, 7-12	70002137	2-21	70002731	4-9	70004068	2-26
4461052	7-11	70002138	2-21	70002732	4-9	70004069	2-26
4461053	7-11	70002145	2-21	70002733	4-9	70004070	2-26
4461054	7-11, 7-12	70002147	2-21	70002734	4-9	70004073	3-9, 9-1
4461060	7-11	70002148	2-21	70002735	4-9	70004074	3-9
4461071	7-11	70002149	2-21	70002838	2-25	70004075	1-7
4461072	7-11	70002150	2-21	70002839	2-25	70004076	1-7
4461073	7-11	70002151	2-21	70002863	2-21	70004077	1-7
4461074	7-11	70002152	2-21	70002867	2-22	70004078	1-7
4568030	5-11	70002153	2-21	70002906	4-9	70004079	1-7
4640113	1-5	70002154	2-21	70002962	1-11	70004080	1-7
4641282	6-3	70002155	2-21	70002966	2-5	70004081	1-7
4641390	5-5	70002156	2-21	70002967	2-5	70004082	1-7
4711400	2-37	70002157	2-21	70002972	2-5	70004083	1-7
4711500	4-6	70002160	2-21	70002973	2-5	70004084	1-7
4740111	1-3	70002161	2-21	70002974	2-6	70004085	1-7
4740362	4-3	70002163	2-21	70002975	2-5	70004086	1-7
4751400	4-6, 8-5	70002164	2-21	70002976	2-5	70004087	1-7
4811400	2-29	70002165	2-21, 2-22	70003483	4-3	70004088	1-7
4811700	2-16, 2-17, 2-29, 2-31, 2-33, 3-8	70002168	2-21	70003545	2-3, 9-1	70004089	1-7
4811702	4-3	70002169	2-22	70003614	2-25, 9-1	70004090	1-7
4811900	1-11, 2-29, 2-36, 2-37, 3-8, 3-9, 4-3	70002170	2-22	70003636	5-9	70004123	5-5
4812000	1-11, 2-3, 2-16, 2-17, 2-25, 2-29,	70002172	2-22	70003784	4-5	70004126	1-7
		70002174	2-22	70003788	2-6, 5-5, 9-1	70004151	2-5
		70002175	2-22	70003926	5-11	70004152	2-5
		70002176	2-22	70003928	5-11	70004153	2-5
		70002177	2-22	70003929	5-11	70004154	2-5
		70002178	2-22	70003930	5-11	70004155	5-11

SECTION 11 PART NUMBER INDEX

Part Number	Page	Part Number	Page	Part Number	Page	Part Number	Page
70004186	5-11	7003928	4-9	7019167	4-11	77133089	6-3
70004187	5-5	7003941	4-11	7019194	4-11	80633030	6-9
70004188	5-5	7003972	4-11	7020175	2-31, 4-5	8290601	2-37
70004189	5-5	7003973	4-11	7020176	2-31, 4-5	8291001	2-37
70004190	5-5	7003980	4-11	7020471	2-18	8305919	4-5
70004191	5-5	7003982	4-11	7021256	2-22	8770016	6-7
70004192	5-5	7003983	4-11	7021275	2-21	8786514	1-5
70004195	2-25	7003989	4-11	7021625	1-11	8896941	10-2
70004196	2-25	7004035	2-11	7021653	2-5	90028482	6-9
70004197	2-25	7004036	2-11	7022301	2-21, 2-22		
70004198	2-25	7004043	2-11	7022340	2-22		
70004199	2-25	7004044	2-11	7022390	2-5, 2-6, 5-5		
70004200	2-25	7004045	2-11	7022397	1-11		
70004210	5-3, 5-7	7004047	2-11	7022399	1-11		
70004212	5-3, 5-7	7004049	2-11	7022808	4-9		
70004213	5-3, 5-7	7004275	10-2	7022815	4-9		
70004214	5-3, 5-7	7004276	10-2	7022819	4-9, 7-6		
70004215	5-3, 5-7	7007207	2-21	7022824	7-6		
70004216	5-3	7007413	2-21	7022825	4-11		
70004217	5-3	7007415	2-22	7023318	2-11		
70004218	5-3	7007418	2-21	7023913	2-5		
70004219	5-3	7007419	2-21	7023964	2-22		
70004220	5-9	7007438	2-22	7023984	2-5		
70004221	5-9	7007446	2-21	7024379	2-11		
70004222	5-9	7010543	1-11, 2-5	7024380	2-11		
70004223	5-9	7012540	2-5	7024381	2-11		
70004224	5-9	7012664	2-17, 9-1	7024389	2-11		
70004225	5-9	7012910	2-6	7024390	2-11		
70004226	5-9	7012914	2-5	7024441	2-25		
70004227	5-9	7012918	2-5	7024453	2-11		
70004246	5-7	7012925	5-5	7024560	2-17		
70004247	5-7	7012953	2-5	7024844	1-11, 2-6		
70004248	5-7	7012967	2-6	7024845	1-11		
70004249	2-13	7012974	1-11	7024884	2-6		
70004250	2-13	7012975	2-5	7026042	2-13		
70004251	2-13	7012989	2-5	7026043	2-13		
70004252	2-13	7012998	2-5	7026044	2-13		
70004253	2-13	7016319	2-29	7026045	2-13		
70004254	2-13	7016331	9-1	7026046	2-13		
70004255	2-13	7016372	2-29	7026047	2-13		
70004256	2-13	7016654	10-2	7026048	2-13		
70004257	2-13	7016655	10-2	7026049	2-13		
70004258	2-13	7017126	3-11	7026050	2-13		
70004259	2-13	7017142	3-11	7026051	2-13		
70004260	2-13	7017147	3-11	7026052	2-13		
70004261	2-13	7017158	3-11	7026053	2-13		
70004262	2-13	7017159	3-11	7026057	2-13		
70004263	2-13	7017163	3-11	7027245	9-1		
70004326	2-17	7017164	3-11	7027350	2-13		
70004327	2-17	7017183	3-11	7027351	2-13		
70007439	2-22	7017193	3-11	7027352	2-13		
70020199	7-10, 9-1	7017195	3-11	7027353	2-13		
70023377	5-5	7017406	1-11, 2-6	7027354	2-13		
70023379	5-5	7017410	2-6	7027356	2-13		
7002821	7-14, 10-2	7017422	2-5	7027793	7-12		
7002822	10-2	7017496	2-5, 2-6, 5-5	7027794	7-12		
7002823	7-14, 10-2	7019162	4-11	7027795	9-1		
7002826	10-2	7019164	4-11	7027796	7-11		
7002828	7-14	7019165	4-11	7189000015	2-31		

SECTION 11 PART NUMBER INDEX

Part Number	Page	Part Number	Page	Part Number	Page	Part Number	Page
-------------	------	-------------	------	-------------	------	-------------	------



3121285



An Oshkosh Corporation Company

Corporate Office
JLG Industries, Inc.
1 JLG Drive
McConnellsburg PA. 17233-9533
USA

☎ (717) 485-5161

📠 (717) 485-6417

JLG Worldwide Locations

JLG Industries (Australia)
P.O. Box 5119
11 Bolwarra Road
Port Macquarie
N.S.W. 2444
Australia

☎ +61 2 65 811111

📠 +61 2 65 813058

JLG Latino Americana Ltda.
Rua Eng. Carlos Stevenson,
80-Suite 71
13092-310 Campinas-SP
Brazil

☎ +55 19 3295 0407

📠 +55 19 3295 1025

JLG Industries (UK) Ltd
Bentley House
Bentley Avenue
Middleton
Greater Manchester
M24 2GP - England

☎ +44 (0)161 654 1000

📠 +44 (0)161 654 1001

JLG France SAS
Z.I. de Baulieu
47400 Fauillet
France

☎ +33 (0)5 53 88 31 70

📠 +33 (0)5 53 88 31 79

JLG Deutschland GmbH
Max-Planck-Str. 21
D - 27721 Ritterhude - Ihlpohl
Germany

☎ +49 (0)421 69 350 20

📠 +49 (0)421 69 350 45

JLG Equipment Services Ltd.
Rm 1107 Landmark North
39 Lung Sum Avenue
Sheung Shui N. T.
Hong Kong

☎ (852) 2639 5783

📠 (852) 2639 5797

JLG Industries (Italia) s.r.l.
Via Po. 22
20010 Pregnana Milanese - MI
Italy

☎ +39 029 359 5210

📠 +39 029 359 5845

Oshkosh-JLG Singapore
Technology Equipment Pte
Ltd
29 Tuas Ave 4,
Jurong Industrial Estate
Singapore, 639379

☎ +65-6591 9030

📠 +65-6591 9031

Plataformas Elevadoras
JLG Iberica, S.L.
Trapadella, 2
P.I. Castellbisbal Sur
08755 Castellbisbal, Barcelona
Spain

☎ +34 93 772 4700

📠 +34 93 771 1762

JLG Sverige AB
Enkopingsvagen 150
Box 704
SE - 176 27 Jarfalla
Sweden

☎ +46 (0)850 659 500

📠 +46 (0)850 659 534